

BALDOR® • RELIANCE

Product Information Packet

KECO, INC

36A002N147G1

3HP,1750//1450RPM,3PH,60//50HZ,182TC,363

Part Detail							
Revision:	B	Status:	PRD/A	Change #:		Proprietary:	Yes
Type:	AC	Elec. Spec:	36WGN147	CD Diagram:	CD0007	Mfg Plant:	
Mech. Spec:	36A002	Layout:	36LYA002	Poles:	04	Created Date:	07-10-2017
Base:	RG	Eff. Date:	10-12-2017	Leads:	12#16		

Specs			
Enclosure:	TEFC	Front Shaft Indicator:	None
Frame:	182TC	Heater Indicator:	No Heater
Frame Material:	Steel	Insulation Class:	F
Output @ Frequency:	3.000 HP @ 50 HZ	Inverter Code:	Inverter Ready
	3.000 HP @ 60 HZ	KVA Code:	L
Synchronous Speed @ Frequency:	1800 RPM @ 60 HZ	Lifting Lugs:	No Lifting Lugs
Voltage @ Frequency:	380.0 V @ 50 HZ	Locked Bearing Indicator:	Locked Bearing
	230.0 V @ 60 HZ	Motor Lead Quantity/Wire Size:	12 @ 16 AWG
	208.0 V @ 60 HZ	Motor Lead Exit:	Ko Box
	190.0 V @ 50 HZ	Motor Lead Termination:	Flying Leads
	460.0 V @ 60 HZ	Motor Type:	3636M
XP Class and Group:	None	Mounting Arrangement:	F1
XP Division:	Not Applicable	Power Factor:	73
Agency Approvals:	UR	Product Family:	General Purpose
	CSA	Pulley End Bearing Type:	Ball
Auxillary Box:	No Auxillary Box	Pulley Face Code:	C-Face
Auxillary Box Lead Termination:	None	Pulley Shaft Indicator:	Standard
Base Indicator:	Rigid	Rodent Screen:	None

Bearing Grease Type:	Polyrex EM (-20F +300F)	RoHS Status:	ROHS COMPLIANT
Blower:	None	Shaft Extension Location:	Pulley End
Current @ Voltage:	9.600 A @ 190.0 V	Shaft Ground Indicator:	No Shaft Grounding
	8.600 A @ 208.0 V	Shaft Rotation:	Reversible
	8.400 A @ 230.0 V	Shaft Slinger Indicator:	No Slinger
	4.800 A @ 380.0 V	Speed Code:	Single Speed
	4.200 A @ 460.0 V	Motor Standards:	NEMA
Design Code:	A	Starting Method:	Direct on line
Drip Cover:	No Drip Cover	Thermal Device - Bearing:	None
Duty Rating:	CONT	Thermal Device - Winding:	None
Electrically Isolated Bearing:	Not Electrically Isolated	Vibration Sensor Indicator:	No Vibration Sensor
Feedback Device:	NO FEEDBACK	Winding Thermal 1:	Automatic Thermal Overload
Front Face Code:	Standard	Winding Thermal 1 Location:	ES
		Winding Thermal 2:	None

Nameplate NP3693L										
CAT.NO.	DM-0300.3PH.01.A									
SPEC.	36A002N147G1									
HP	3									
VOLTS	208-230/460//190/380									
AMPS	8.8-8.6/4.3//5.8/4.9									
R.P.M.	1750//1450									
FRAME	182TC					HZ	60//50		PH	3
SER.F.	1.15					CODE	L		DES.	A
NEMA NOM. EFF.	89.5					P.F.	73		CLASS	F
RATING	40C AMB-CONT									
CC	010A					USABLE AT 208V				
DE	6206					ODE	6205			
ENCL	TEFC					SN				
	-									

Parts List		
Part Number	Description	Quantity
SA341287	SA 36A002N147G1	1.000 EA
RA329660	RA 36A002N147G1	1.000 EA
36FN3000C01SP	EXFN, PLASTIC, 5.25 OD, .912 ID	1.000 EA
36CB3004	36 CB CASTING W/1.09 DIA LEAD HOLE @ 6:0	1.000 EA
36GS1000SP	GASKET-CONDUIT BOX, .06 THICK #SV-330 LE	1.000 EA
51XB1016A08	10-16X 1/2HXWSSLD SERTYB	2.000 EA
11XW1032G06	10-32 X .38, TAPTITE II, HEX WSHR SLTD U	1.000 EA
HW3001B01	BRASS CUP WASHER, FOR #8 SCREW	1.000 EA
36EP3104A01	FREP MACH ASSEMBLY FOR ROUTING	1.000 EA
HW4500A01	1641B(ALEMITE)400 UNIV, GREASE FITT	1.000 EA
HW5100A05	WVY WSHR F/205 & 304 BRGS	1.000 EA
36PE3301A23	PUEP ASSEMBLY FOR ROUTING PURPOSES	1.000 EA
HW4500A01	1641B(ALEMITE)400 UNIV, GREASE FITT	1.000 EA
10XN2520A28	1/4-20X 1 3/4 HEX HD	4.000 EA
HW1001A25	LOCKWASHER 1/4, ZINC PLT .493 OD, .255 I	4.000 EA
51XB1214A16	12-14X1.00 HXWSSLD SERTYB	1.000 EA
36FH4009A102	IEC FH GREASER PRIMED	1.000 EA
51XW1032A06	10-32 X .38, TAPTITE II, HEX WSHR SLTD S	3.000 EA
36CB4516	36 LIPPED CB LID - GALVANNEAL	1.000 EA
37GS1001SP	GASKET, CONDUIT BOX LID, .06 THICK LEXID	1.000 EA
51XW0832A07	8-32 X .44, TAPTITE II, HEX WSHR SLTD SE	4.000 EA
HW2501E16	KEY, 1/4 SQ X 1.750	1.000 EA
HA7000A02	KEY RETAINER RING, 1 1/8 DIA, 1 3/8 DIA	1.000 EA
85XU0407S04	4X1/4 U DRIVE PIN STAINLESS	2.000 EA

Parts List (continued)		
Part Number	Description	Quantity
HW3200A01	3/8-16X3/4 I-BLT WELDED F/S	1.000 EA
MJ1000A02	GREASE, POLYREX EM EXXON (USe 4824-15A)	0.050 LB
MG1000Y03	MUNSELL 2.53Y 6.70/ 4.60, GLOSS 20,	0.022 GA
MG1025A01	WILKOFASST SG, 770.02, CLEAR SEMI-GLOSS	0.022 GA
HA3101A28	THRUBOLT 1/4-20 X 12.500 OHIO ROD	4.000 EA
LB1115N	LABEL,LIFTING DEVICE (ON ROLLS)	1.000 EA
LB1118	LABEL,WARNING (ROLL LABEL)	1.000 EA
LB1417	LABEL CARTON 6X4 PERFORATED BLANK ROLLS	1.000 EA
LC0007	CONNECTION LABEL	1.000 EA
NP3693L	SS SUPER-E UL CSA NEMA PREMIUM CC THERMA	1.000 EA
G0PA1000	PKG GRP, PRINT PK1026A06	1.000 EA
MN416A01	TAG-INSTAL-MAINT no wire (1100/bx) 11/14	1.000 EA

AC Induction Motor Performance Data

Record # 66594 - Typical performance - not guaranteed values

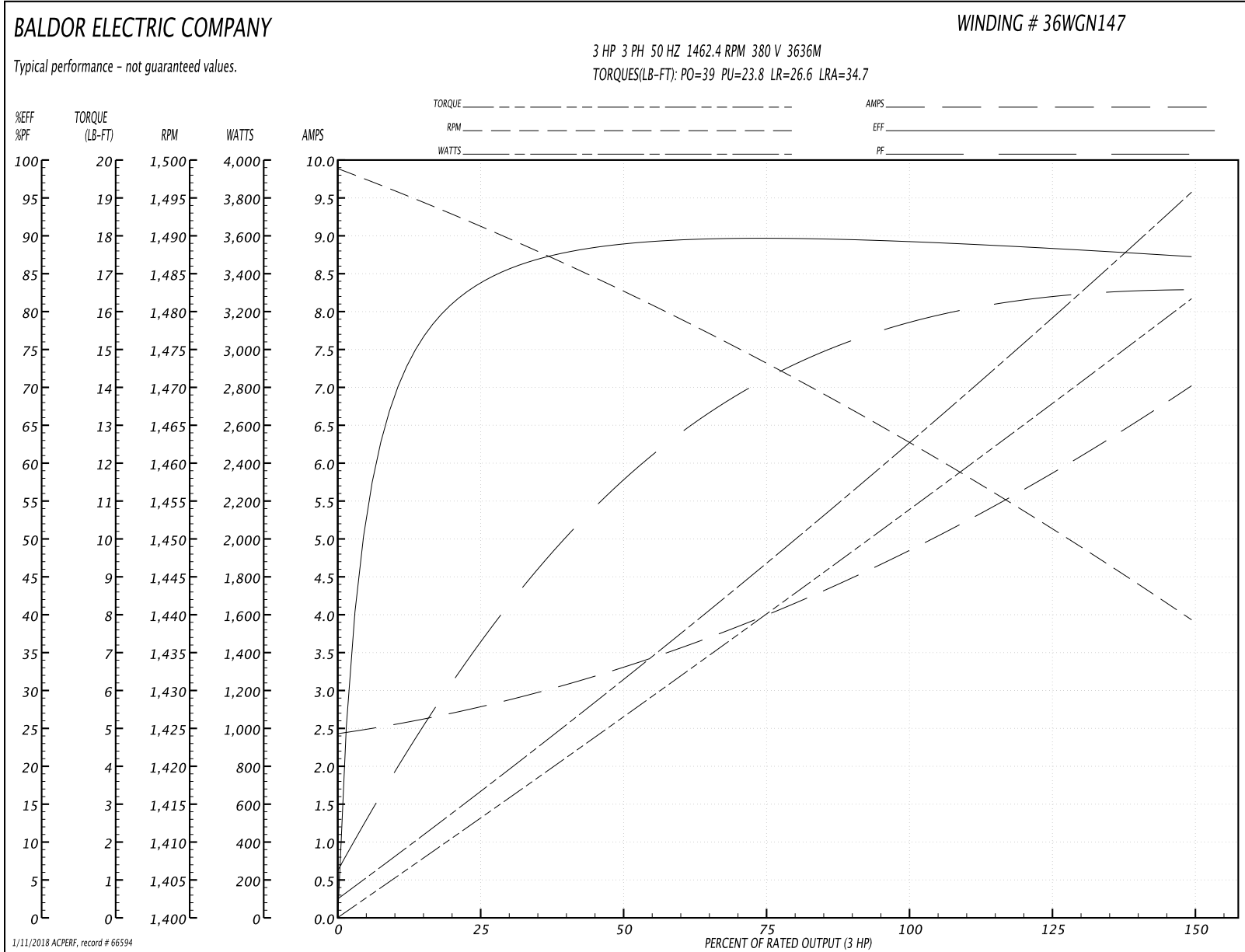
Winding: 36WGN147-R001	Type: 3636M	Enclosure: TEFC
-------------------------------	--------------------	------------------------

Nameplate Data				380 V, 50 Hz: High Voltage Connection	
Rated Output (HP)	3			Full Load Torque	10.89 LB-FT
Volts	208-230/460//190/380			Start Configuration	direct on line
Full Load Amps	8.6-8.4/4.2//9.6/4.8			Breakdown Torque	39 LB-FT
R.P.M.	1750//1450			Pull-up Torque	23.8 LB-FT
Hz	60//50	Phase	3	Locked-rotor Torque	26.6 LB-FT
NEMA Design Code	A	KVA Code	L	Starting Current	34.7 A
Service Factor (S.F.)	1.15			No-load Current	2.48 A
NEMA Nom. Eff.	89.5	Power Factor	73	Line-line Res. @ 25°C	3.2144 Ω
Rating - Duty	40C AMB-CONT			Temp. Rise @ Rated Load	
				Locked-rotor Power Factor	45.3

Load Characteristics 380 V, 50 Hz, 3 HP

% of Rated Load	25	50	75	100	125	150	S.F.
Power Factor	38	60	71	78	81	84	80
Efficiency	83.6	88.5	89.7	89.4	88.5	87.1	88.9
Speed	1490.9	1482.1	1472.9	1462.4	1451.6	1439.1	1456
Line amperes	2.75	3.28	4.02	4.94	5.92	6.97	5.53

Performance Graph at 380V, 50Hz, 3.0HP Typical performance - Not guaranteed values



AC Induction Motor Performance Data

Record # 66744 - Typical performance - not guaranteed values

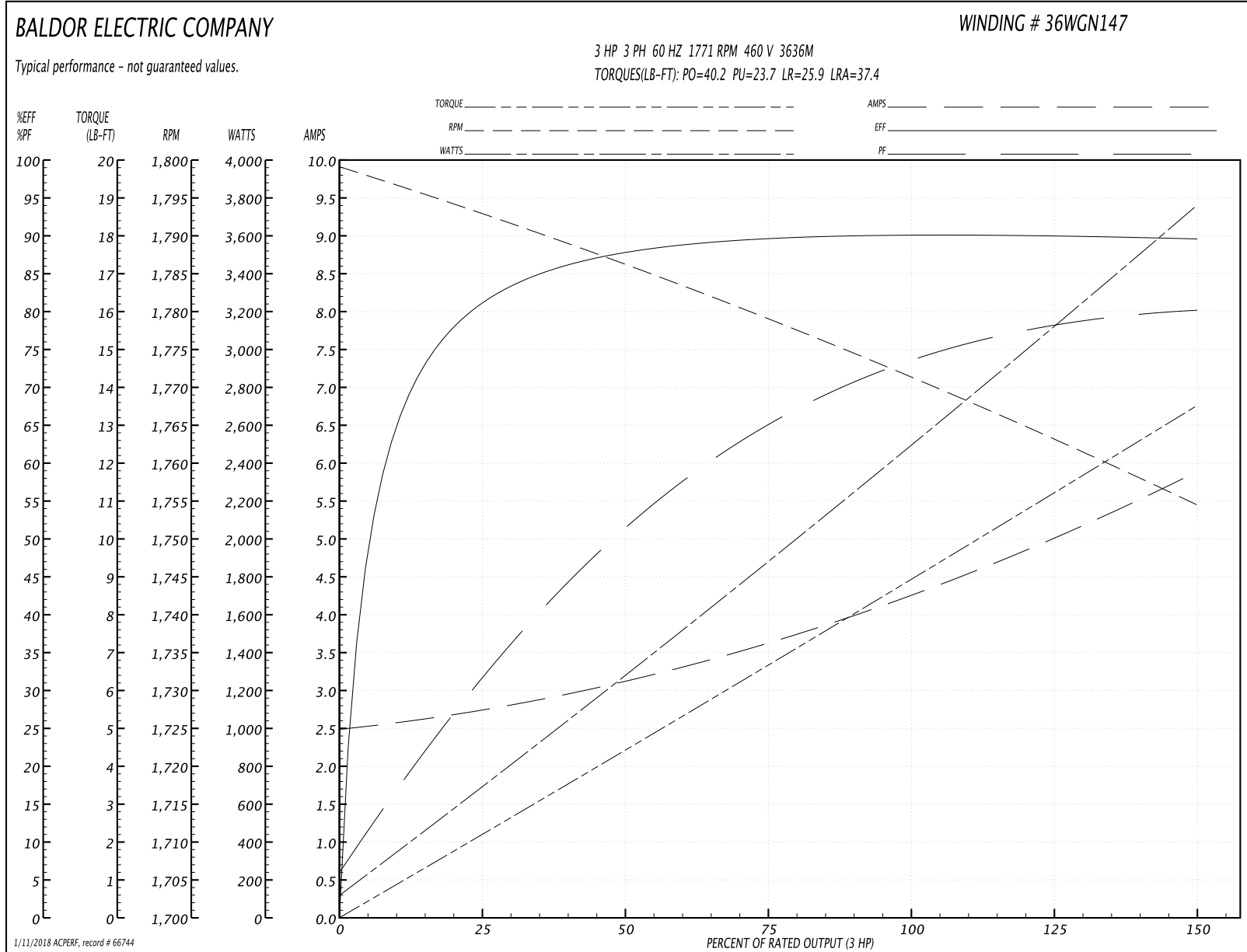
Winding: 36WGN147-R001	Type: 3636M	Enclosure: TEFC
-------------------------------	--------------------	------------------------

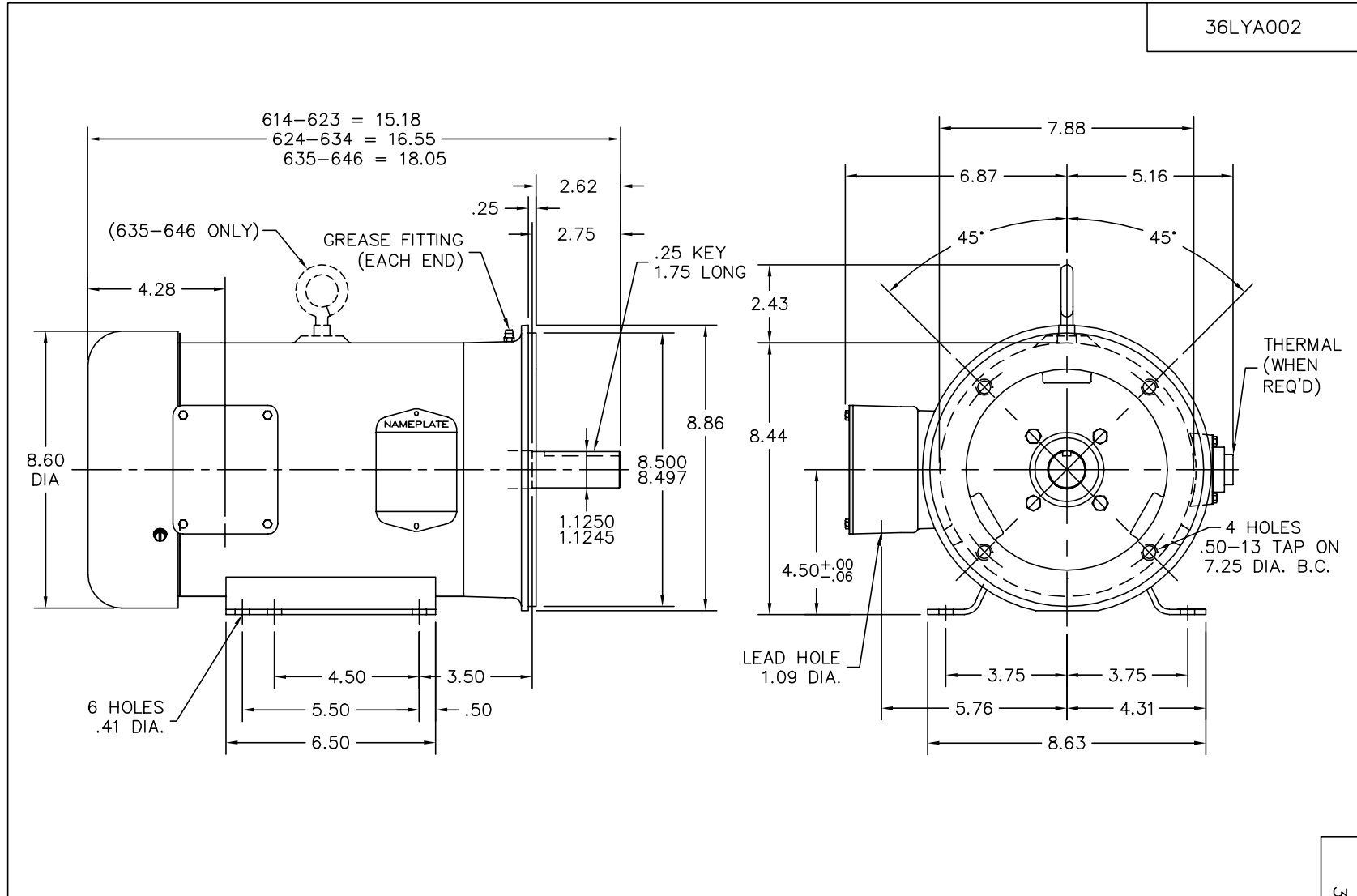
Nameplate Data				460 V, 60 Hz: High Voltage Connection	
Rated Output (HP)	3			Full Load Torque	9.003 LB-FT
Volts	208-230/460//190/380			Start Configuration	direct on line
Full Load Amps	8.6-8.4/4.2//9.6/4.8			Breakdown Torque	40.2 LB-FT
R.P.M.	1750//1450			Pull-up Torque	23.7 LB-FT
Hz	60//50	Phase	3	Locked-rotor Torque	25.9 LB-FT
NEMA Design Code	A	KVA Code	L	Starting Current	37.4 A
Service Factor (S.F.)	1.15			No-load Current	2.52 A
NEMA Nom. Eff.	89.5	Power Factor	73	Line-line Res. @ 25°C	3.2144 Ω
Rating - Duty	40C AMB-CONT			Temp. Rise @ Rated Load	
				Locked-rotor Power Factor	40.8

Load Characteristics 460 V, 60 Hz, 3 HP

% of Rated Load	25	50	75	100	125	150	S.F.
Power Factor	33	52	65	73	78	81	76
Efficiency	80.5	87.6	89.6	90.2	90.1	89.5	90.1
Speed	1793.1	1786	1778.7	1771	1763.4	1754.3	1766
Line amperes	2.71	3.1	3.66	4.3	5.04	5.87	4.74

Performance Graph at 460V, 60Hz, 3.0HP Typical performance - Not guaranteed values





CUSTOMER IS RESPONSIBLE FOR DETERMINING THAT MOTOR PERFORMANCE IS SUITABLE IN THE APPLICATION.

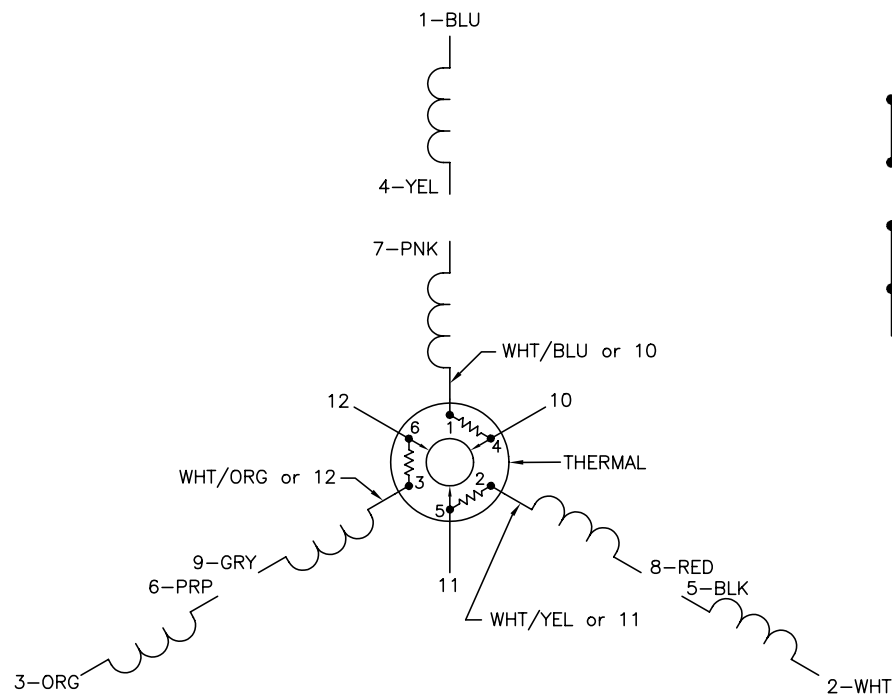
REV. DESC: FREEZE LINES SHOWING THROUGH CAPACITOR/KO BOX		
REV. LTR: K	VERSION: 04	TDR: 000000384004
36LYA002	FILE: \AAA\00003\161	REVISED: 14:56:41 12/22/2005
	MTL: -	BY: ENCHRC0

BALDOR ELECTRIC Co.

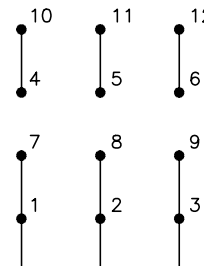
STD HORZ FACE MTD 182-4TC TEFC 36M

36LYA002

CD0007

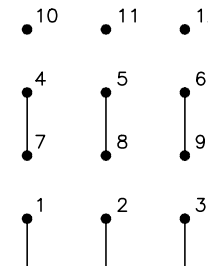


LOW VOLTAGE
(2Y)



LINE

HIGH VOLTAGE
(1Y)



LINE

NOTES:

1. INTERCHANGE ANY TWO LINE LEADS TO REVERSE ROTATION.
2. ACTUAL NUMBER OF INTERNAL PARALLEL CIRCUITS MAY VARY.
3. LEAD COLORS ARE OPTIONAL. LEADS MUST ALWAYS BE NUMBERED AS SHOWN.

REV. DESC: ADDED "CK" PLANT CODE			
REV. LTR: E	BY: EAH	REVISED: 05/06/99 17:1	TDR: 0181040
L00000		FILE: AAA00008370	MDL: -
		MTL: -	

BALDOR ELECTRIC Co.

3PH, DV, THERMAL, 12 LEADS

CD0007