

# **BALDOR® • RELIANCE**

**Product Information Packet**

**KECO, INC**

**35E024L765G1**

**1.5HP,1750//1450RPM,1PH,60//50HZ,56C,353**

Part Detail							
Revision:	-	Status:	SMP/A	Change #:		Proprietary:	Yes
Type:	AC	Elec. Spec:	35WGL765	CD Diagram:	CD0320	Mfg Plant:	
Mech. Spec:	35E024	Layout:	35LYE024	Poles:	04	Created Date:	07-10-2017
Base:	RG	Eff. Date:	07-13-2017	Leads:	6#18,1#14 #4TH		

Specs			
Enclosure:	TEFC	Inverter Code:	Not Inverter
Frame:	56C	Lifting Lugs:	No Lifting Lugs
Frame Material:	Steel	Locked Bearing Indicator:	Locked Bearing
Output @ Frequency:	1.500 HP @ 60 HZ	Motor Lead Quantity/Wire Size:	6 @ 18 AWG
	1.500 HP @ 50 HZ	Motor Lead Exit:	Ko Box
Synchronous Speed @ Frequency:	1800 RPM @ 60 HZ	Motor Lead Termination:	Flying Leads
Voltage @ Frequency:	240.0 V @ 60 HZ	Motor Type:	3536LC
	110.0 V @ 50 HZ	Mounting Arrangement:	F1
	120.0 V @ 60 HZ	Product Family:	General Purpose
	208.0 V @ 60 HZ	Pulley End Bearing Type:	Ball
	220.0 V @ 50 HZ	Pulley Face Code:	C-Face
XP Class and Group:	None	Pulley Shaft Indicator:	Standard
XP Division:	Not Applicable	Rodent Screen:	None
Auxillary Box:	No Auxillary Box	RoHS Status:	ROHS COMPLIANT
Auxillary Box Lead Termination:	None	Shaft Extension Location:	Pulley End
Base Indicator:	Rigid	Shaft Ground Indicator:	No Shaft Grounding
Bearing Grease Type:	Polyrex EM (-20F +300F)	Shaft Rotation:	Reversible
Blower:	None	Shaft Slinger Indicator:	No Slinger

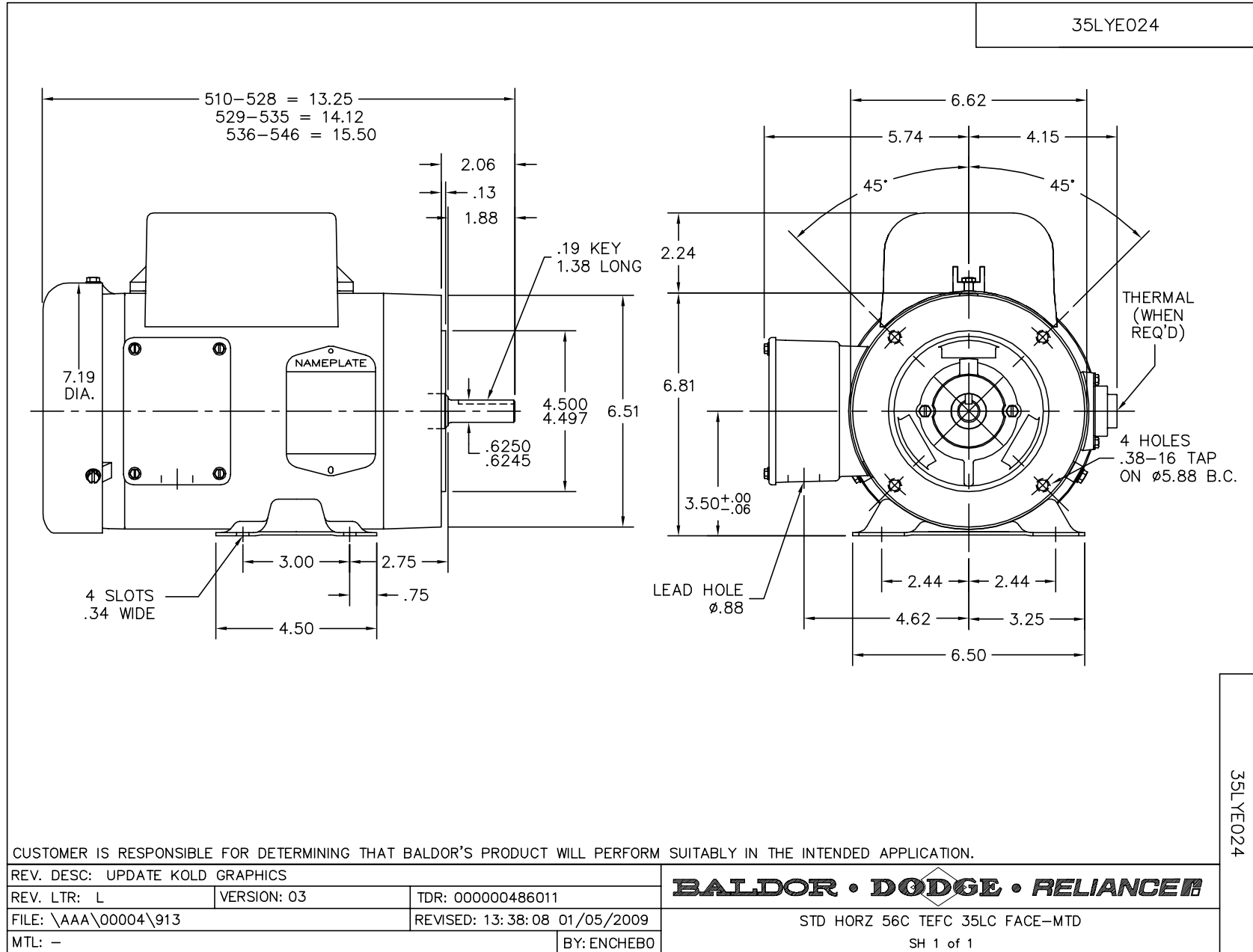
<b>Design Code:</b>	L	<b>Speed Code:</b>	Single Speed
<b>Drip Cover:</b>	No Drip Cover	<b>Motor Standards:</b>	NEMA
<b>Duty Rating:</b>	CONT	<b>Starting Method:</b>	Direct on line
<b>Electrically Isolated Bearing:</b>	Not Electrically Isolated	<b>Thermal Device - Bearing:</b>	None
<b>Feedback Device:</b>	NO FEEDBACK	<b>Thermal Device - Winding:</b>	None
<b>Front Face Code:</b>	Standard	<b>Vibration Sensor Indicator:</b>	No Vibration Sensor
<b>Front Shaft Indicator:</b>	None	<b>Winding Thermal 1:</b>	Automatic Thermal Overload
<b>Heater Indicator:</b>	No Heater	<b>Winding Thermal 1 Location:</b>	SB
<b>Insulation Class:</b>	F	<b>Winding Thermal 2:</b>	None

<b>Nameplate NP3690L</b>											
<b>CAT.NO.</b>	DM-0150.1PH.01.A										
<b>SPEC.</b>	35E024L765G1										
<b>HP</b>	1.5										
<b>VOLTS</b>	120/208-240//110/220										
<b>AMPS</b>											
<b>R.P.M.</b>	1750//1450										
<b>FRAME</b>	56C				<b>HZ</b>	60//50			<b>PH</b>	1	
<b>SER.F.</b>	1.15			<b>CODE</b>			<b>DES.</b>	L		<b>CLASS</b>	F
<b>NEMA NOM. EFF.</b>					<b>P.F.</b>						
<b>RATING</b>	40C AMB-CONT										
<b>CC</b>									<b>USABLE AT 208V</b>		
<b>DE</b>	6205				<b>ODE</b>	6203					
<b>ENCL</b>	TEFC			<b>SN</b>							
	IP44										

Parts List		
Part Number	Description	Quantity
SA341288	SA 35E024L765G1	1.000 EA
RA329661	RA 35E024L765G1	1.000 EA
OC3040F09SP	CAPACITOR 40 MFD 370 VAC	1.000 EA
EC1540A04	ELEC CAP, 540-648 MFD, 125V, 1.81D X 4.	1.000 EA
NS2512A01	INSULATOR, CONDUIT BOX X	1.000 EA
35CB3007	35 CB CASTING W/.88 DIA. LEAD HOLE	1.000 EA
36GS1000SP	GASKET-CONDUIT BOX, .06 THICK #SV-330 LE	1.000 EA
51XB1016A07	10-16 X 7/16 HXWSSLD SERTYB	2.000 EA
11XW1032G06	10-32 X .38, TAPTITE II, HEX WSHR SLTD U	1.000 EA
35EP3100M02	FREP TEFC 203 BRG W/O GR SR (RAISED FH MT	1.000 EA
51XW0832A07	8-32 X .44, TAPTITE II, HEX WSHR SLTD SE	2.000 EA
35CB3801	CAPACITOR COVER, CAST	1.000 EA
34GS3002	GASKET, CAPACITOR BOX	1.000 EA
HA7010	CAPACITOR RETENTION CLAMP	1.000 EA
NS2501A02	INSULATOR, CAPACITOR BOX	1.000 EA
51XB1016A08	10-16X 1/2HXWSSLD SERTYB	2.000 EA
HW5100A03	WAVY WASHER (W1543-017)	1.000 EA
35EP3300A33	SPL FACE MTD EP -ENCL-205 BRG	1.000 EA
51XN1032A20	10-32 X 1 1/4 HX WS SL SR	2.000 EA
51XB1214A16	12-14X1.00 HXWSSLD SERTYB	1.000 EA
35FH4005A32SP	IEC FH NO GR SR W/3 HOLES - PRIMED	1.000 EA
51XW1032A06	10-32 X .38, TAPTITE II, HEX WSHR SLTD S	3.000 EA
35CB4521GX	CONDUIT BOX LID KIT	1.000 EA
51XW0832A07	8-32 X .44, TAPTITE II, HEX WSHR SLTD SE	4.000 EA

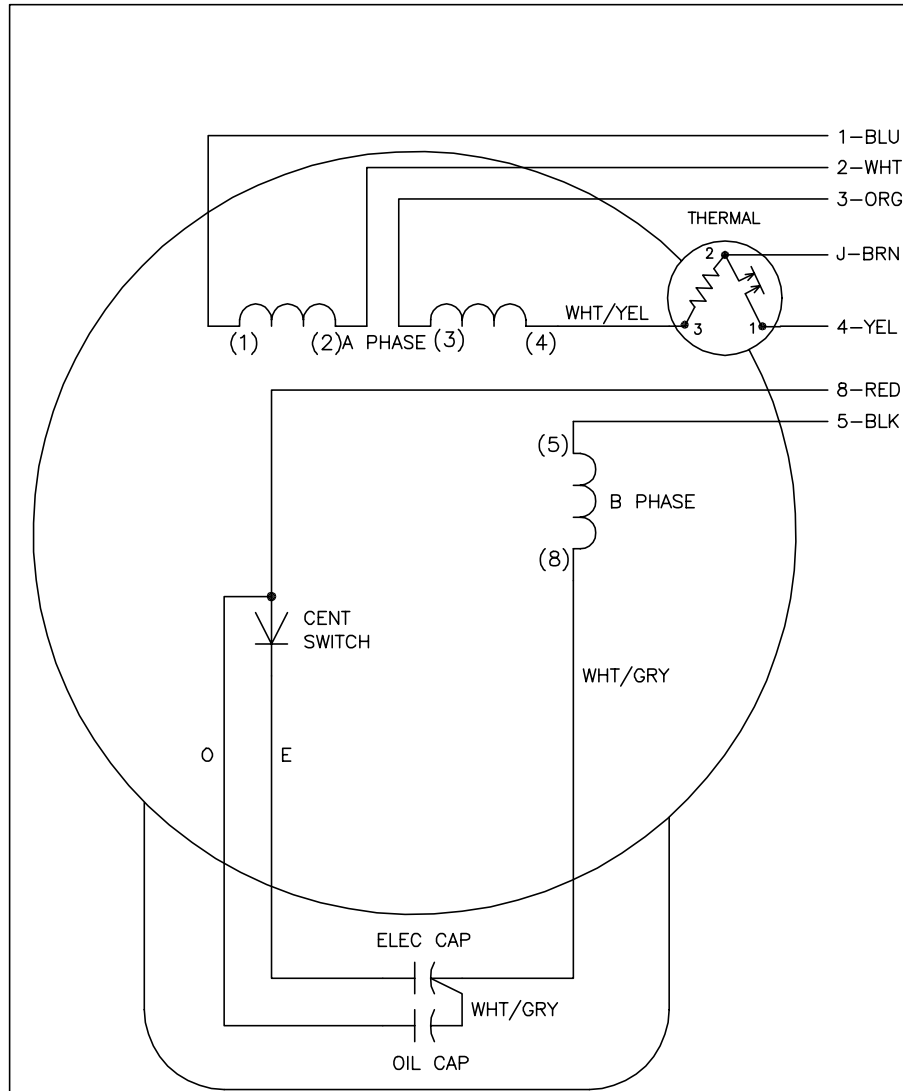
<b>Parts List (continued)</b>		
<b>Part Number</b>	<b>Description</b>	<b>Quantity</b>
HW2501D13	KEY, 3/16 SQ X 1.375	1.000 EA
HA7000A04	KEY RETAINER 0.625 DIA SHAFTS	1.000 EA
85XU0407S04	4X1/4 U DRIVE PIN STAINLESS	2.000 EA
WD1000A15	3-520132-2 AMP FLAG (4M/RL NON-CANC/NON-	4.000 EA
MJ1000A02	GREASE, POLYREX EM EXXON (USe 4824-15A)	0.050 LB
35FN3002A05SP	EXFN, PLASTIC, 6.376 OD, .638 ID	1.000 EA
MG1000Y03	MUNSELL 2.53Y 6.70/ 4.60, GLOSS 20,	0.017 GA
HA3100A24	THRUBOLT 10-32 X 10.625	4.000 EA
SP5181A01	MODEL 35 LC TORQ STAT SWITCH LEAD ASSY	1.000 EA
LB1118	LABEL,WARNING (ROLL LABEL)	1.000 EA
LB1417	LABEL CARTON 6X4 PERFORATED BLANK ROLLS	1.000 EA
LC0269	1PH,DV,REV,THERMAL,7 LD,L.AMP THRU HTR H	1.000 EA
NP3690L	SS SUPER-E UL CSA CE CC THERMAL REV MTG	1.000 EA
36PA1001	PKG GRP, PRINT PK1017A06	1.000 EA
MN416A01	TAG-INSTAL-MAINT no wire (1100/bx) 11/14	1.000 EA
FE-0000001	ZRTG FE ASSEMBLY	1.000 EA
PE-0000001	ZRTG PE ASSEMBLY	1.000 EA

No performance data has been  
assigned to this product.





CD0320



	LINE A	LINE B	JOIN	JOIN
HIGH STD	1,8	4	2,3,5	J
HIGH OPP	1,5	4	2,3,8	J
LOW STD	1,3,8	4	-	2,J,5
LOW OPP	1,3,5	4	-	2,J,8

NOTES:

1. STANDARD ROTATION IS CCW FACING END OPPOSITE SHAFT EXTENSION.
2. MULTIPLE CAPACITORS ARE CONNECTED IN PARALLEL UNLESS OTHERWISE SPECIFIED.
3. LEAD COLORS ARE OPTIONAL. LEADS MUST ALWAYS BE NUMBERED AS SHOWN.

CD0320

REV. DESC: ADD INTERNAL CONNECTION TO HELP MANUFACTURING		
REV. LTR: G	VERSION: 01	TDR: 000000941594
FILE: \AAA\00007\422	REVISED: 02:21:00 08/28/2015	BY: ENALEMO
MTL: -		

**BALDOR**

TYPE LC, DV, REV, THERMAL, B PH AMPS THRU HTR HVC, 7 LEAD

SH 1 of 1

Marketing maintained PDF of MN416:

<http://www.baldor.com/support/Literature/Load.ashx/MN416?ManNumber=MN416>