

BALDOR® • RELIANCE

Product Information Packet

KECO, INC

35E024M133G1

.75HP,1750//1450RPM,1PH,60//50HZ,56C,352

Part Detail							
Revision:	-	Status:	PRD/A	Change #:		Proprietary:	Yes
Type:	AC	Elec. Spec:	35WGM133	CD Diagram:	CD0320	Mfg Plant:	
Mech. Spec:	35E024	Layout:	35LYE024	Poles:	04	Created Date:	07-10-2017
Base:	RG	Eff. Date:	07-11-2017	Leads:	6#18,1#14 #4TH		

Specs			
Enclosure:	TEFC	Heater Indicator:	No Heater
Frame:	56C	Insulation Class:	F
Frame Material:	Steel	Inverter Code:	Not Inverter
Output @ Frequency:	.750 HP @ 50 HZ	KVA Code:	M
	.750 HP @ 60 HZ	Lifting Lugs:	No Lifting Lugs
Synchronous Speed @ Frequency:	1800 RPM @ 60 HZ	Locked Bearing Indicator:	Locked Bearing
Voltage @ Frequency:	240.0 V @ 60 HZ	Motor Lead Quantity/Wire Size:	6 @ 18 AWG
	220.0 V @ 50 HZ	Motor Lead Exit:	Ko Box
	208.0 V @ 60 HZ	Motor Lead Termination:	Flying Leads
	120.0 V @ 60 HZ	Motor Type:	3524LC
	110.0 V @ 50 HZ	Mounting Arrangement:	F1
XP Class and Group:	None	Power Factor:	88
XP Division:	Not Applicable	Product Family:	General Purpose
Auxillary Box:	No Auxillary Box	Pulley End Bearing Type:	Ball
Auxillary Box Lead Termination:	None	Pulley Face Code:	C-Face
Base Indicator:	Rigid	Pulley Shaft Indicator:	Standard
Bearing Grease Type:	Polyrex EM (-20F +300F)	Rodent Screen:	None
Blower:	None	RoHS Status:	ROHS COMPLIANT

Current @ Voltage:	8.800 A @ 110.0 V	Shaft Extension Location:	Pulley End
	7.200 A @ 120.0 V	Shaft Ground Indicator:	No Shaft Grounding
	4.400 A @ 220.0 V	Shaft Rotation:	Reversible
	3.900 A @ 208.0 V	Shaft Slinger Indicator:	No Slinger
	3.600 A @ 240.0 V	Speed Code:	Single Speed
Design Code:	N	Motor Standards:	NEMA
Drip Cover:	No Drip Cover	Starting Method:	Direct on line
Duty Rating:	CONT	Thermal Device - Bearing:	None
Electrically Isolated Bearing:	Not Electrically Isolated	Thermal Device - Winding:	None
Feedback Device:	NO FEEDBACK	Vibration Sensor Indicator:	No Vibration Sensor
Front Face Code:	Standard	Winding Thermal 1:	Automatic Thermal Overload
Front Shaft Indicator:	None	Winding Thermal 1 Location:	SB
		Winding Thermal 2:	None

Nameplate NP3690L										
CAT.NO.	DM-0075.1PH.01.A									
SPEC.	35E024M133G1									
HP	.75									
VOLTS	120/208-240//110/220									
AMPS	7.2/3.9-3.6//8.8/4.4									
R.P.M.	1750//1450									
FRAME	56C					HZ	60//50		PH	1
SER.F.	1.15					CODE	M		DES.	N
NEMA NOM. EFF.	74					P.F.	88		CLASS	F
RATING	40C AMB-CONT									
CC						USABLE AT 208V				
DE	6205					ODE	6203			
ENCL	TEFC					SN				
	IP44									

Parts List		
Part Number	Description	Quantity
SA341283	SA 35E024M133G1	1.000 EA
RA329656	RA 35E024M133G1	1.000 EA
OC3040F09SP	CAPACITOR 40 MFD 370 VAC	1.000 EA
EC1460A05SP	ELEC CAP, 460-552 MFD, 125V, 2.06D X 3.	1.000 EA
NS2512A01	INSULATOR, CONDUIT BOX X	1.000 EA
35CB3007	35 CB CASTING W/.88 DIA. LEAD HOLE	1.000 EA
36GS1000SP	GASKET-CONDUIT BOX, .06 THICK #SV-330 LE	1.000 EA
51XB1016A07	10-16 X 7/16 HXWSSLD SERTYB	2.000 EA
11XW1032G06	10-32 X .38, TAPTITE II, HEX WSHR SLTD U	1.000 EA
35EP3100M02	FREP TEFC 203 BRG W/O GR SR (RAISED FH MT	1.000 EA
51XW0832A07	8-32 X .44, TAPTITE II, HEX WSHR SLTD SE	2.000 EA
35CB3801	CAPACITOR COVER, CAST	1.000 EA
34GS3002	GASKET, CAPACITOR BOX	1.000 EA
HA7010	CAPACITOR RETENTION CLAMP	1.000 EA
NS2501A02	INSULATOR, CAPACITOR BOX	1.000 EA
51XB1016A08	10-16X 1/2HXWSSLD SERTYB	2.000 EA
HW5100A03	WAVY WASHER (W1543-017)	1.000 EA
35EP3300A33	SPL FACE MTD EP -ENCL-205 BRG	1.000 EA
51XN1032A20	10-32 X 1 1/4 HX WS SL SR	2.000 EA
51XB1214A16	12-14X1.00 HXWSSLD SERTYB	1.000 EA
35FH4005A32SP	IEC FH NO GR SR W/3 HOLES - PRIMED	1.000 EA
51XW1032A06	10-32 X .38, TAPTITE II, HEX WSHR SLTD S	3.000 EA
35CB4521GX	CONDUIT BOX LID KIT	1.000 EA
51XW0832A07	8-32 X .44, TAPTITE II, HEX WSHR SLTD SE	4.000 EA

Parts List (continued)		
Part Number	Description	Quantity
HW2501D13	KEY, 3/16 SQ X 1.375	1.000 EA
HA7000A04	KEY RETAINER 0.625 DIA SHAFTS	1.000 EA
85XU0407S04	4X1/4 U DRIVE PIN STAINLESS	2.000 EA
WD1000A15	3-520132-2 AMP FLAG (4M/RL NON-CANC/NON-	4.000 EA
MJ1000A02	GREASE, POLYREX EM EXXON (USe 4824-15A)	0.050 LB
35FN3002A05SP	EXFN, PLASTIC, 6.376 OD, .638 ID	1.000 EA
MG1000Y03	MUNSELL 2.53Y 6.70/ 4.60, GLOSS 20,	0.017 GA
MG1025A01	WILKOFASST SG, 770.02, CLEAR SEMI-GLOSS	0.017 GA
HA3100A15	THRUBOLT 10-32 X 8.375	4.000 EA
SP5181A01	MODEL 35 LC TORQ STAT SWITCH LEAD ASSY	1.000 EA
LB1118	LABEL,WARNING (ROLL LABEL)	1.000 EA
LC0269	1PH,DV,REV,THERMAL,7 LD,L.AMP THRU HTR H	1.000 EA
LB1417	LABEL CARTON 6X4 PERFORATED BLANK ROLLS	1.000 EA
NP3690L	SS SUPER-E UL CSA CE CC THERMAL REV MTG	1.000 EA
36PA1000	PKG GRP, PRINT PK1016A06	1.000 EA
MN416A01	TAG-INSTAL-MAINT no wire (1100/bx) 11/14	1.000 EA
FE-0000001	ZRTG FE ASSEMBLY	1.000 EA
PE-0000001	ZRTG PE ASSEMBLY	1.000 EA

AC Induction Motor Performance Data

Record # 65325 - Typical performance - not guaranteed values

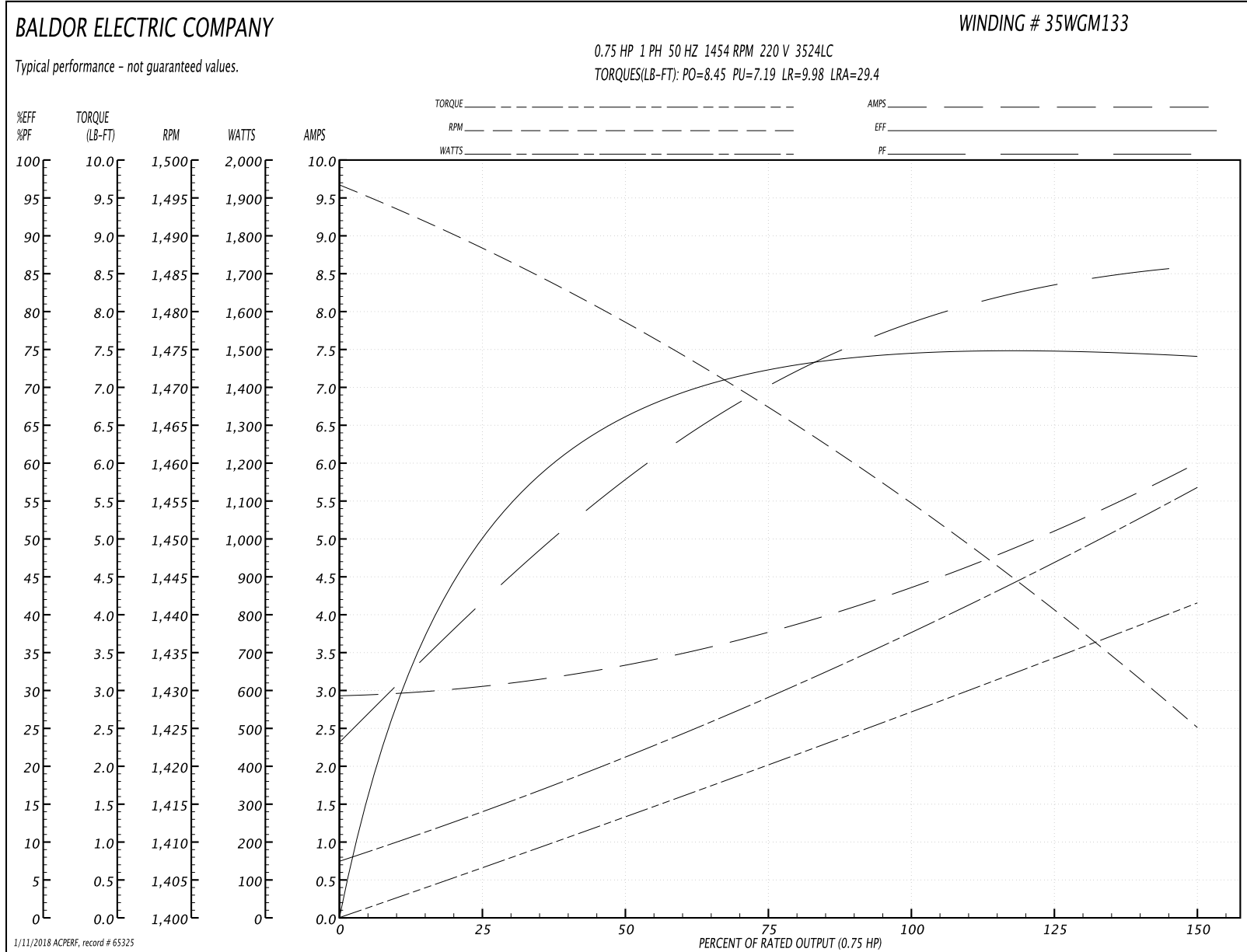
Winding: 35WGM133-R004	Type: 3524LC	Enclosure: TEFC
-------------------------------	---------------------	------------------------

Nameplate Data				220 V, 50 Hz: High Voltage Connection	
Rated Output (HP)	.75			Full Load Torque	2.78 LB-FT
Volts	120/208-240//110/220			Start Configuration	direct on line
Full Load Amps	7.2/3.9-3.6//8.8/4.4			Breakdown Torque	8.45 LB-FT
R.P.M.	1750//1450			Pull-up Torque	7.19 LB-FT
Hz	60//50	Phase	1	Locked-rotor Torque	9.98 LB-FT
NEMA Design Code	N	KVA Code	M	Starting Current	29.4 A
Service Factor (S.F.)	1.15			No-load Current	2.95 A
NEMA Nom. Eff.	74	Power Factor	88	Line-line Res. @ 25°C	2.9559 Ω A Ph 1.7618 Ω B Ph
Rating - Duty	40C AMB-CONT			Temp. Rise @ Rated Load	42°C
S.F. Amps				Temp. Rise @ S.F. Load	47°C

Load Characteristics 220 V, 50 Hz, 0.75 HP

% of Rated Load	25	50	75	100	125	150	S.F.
Power Factor	43	60	71	79	83	87	81
Efficiency	50.5	66.9	72.7	74.7	75.1	74	74.9
Speed	1487.8	1477.3	1466	1454	1440.4	1424.4	1446
Line amperes	3.04	3.34	3.82	4.45	5.17	5.99	4.88

Performance Graph at 220V, 50Hz, 0.75HP Typical performance - Not guaranteed values



AC Induction Motor Performance Data

Record # 65326 - Typical performance - not guaranteed values

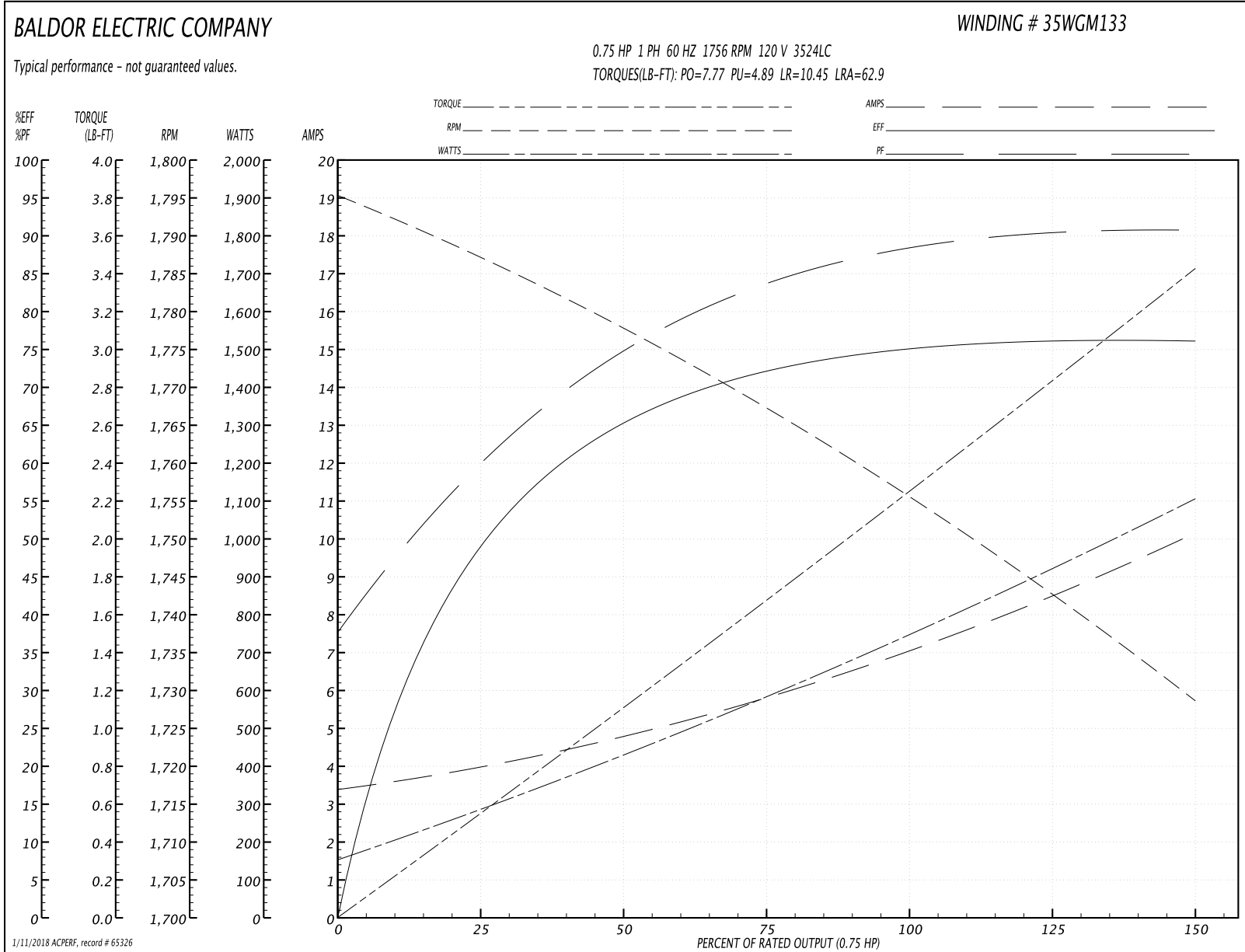
Winding: 35WGM133-R004	Type: 3524LC	Enclosure: TEFC
-------------------------------	---------------------	------------------------

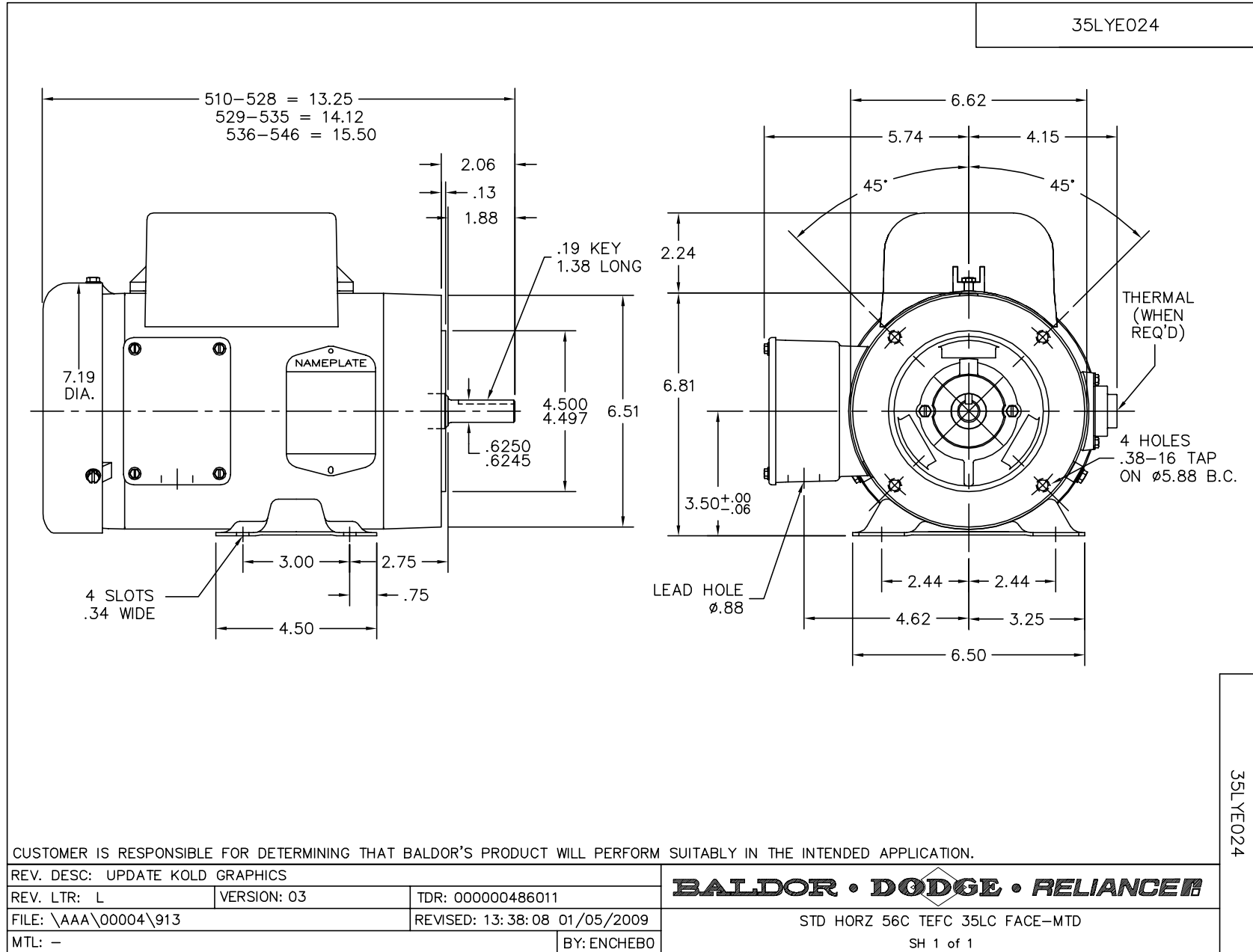
Nameplate Data				120 V, 60 Hz: Low Voltage Connection	
Rated Output (HP)	.75			Full Load Torque	2.28 LB-FT
Volts	120/208-240//110/220			Start Configuration	direct on line
Full Load Amps	7.2/3.9-3.6//8.8/4.4			Breakdown Torque	7.77 LB-FT
R.P.M.	1750//1450			Pull-up Torque	4.89 LB-FT
Hz	60//50	Phase	1	Locked-rotor Torque	10.45 LB-FT
NEMA Design Code	N	KVA Code	M	Starting Current	62.9 A
Service Factor (S.F.)	1.15			No-load Current	3.46 A
NEMA Nom. Eff.	74	Power Factor	88	Line-line Res. @ 25°C	0.768 Ω A Ph 1.78 Ω B Ph
Rating - Duty	40C AMB-CONT			Temp. Rise @ Rated Load	
				Locked-rotor Power Factor	95.3
				Rotor inertia	0.142 LB-FT ²

Load Characteristics 120 V, 60 Hz, 0.75 HP

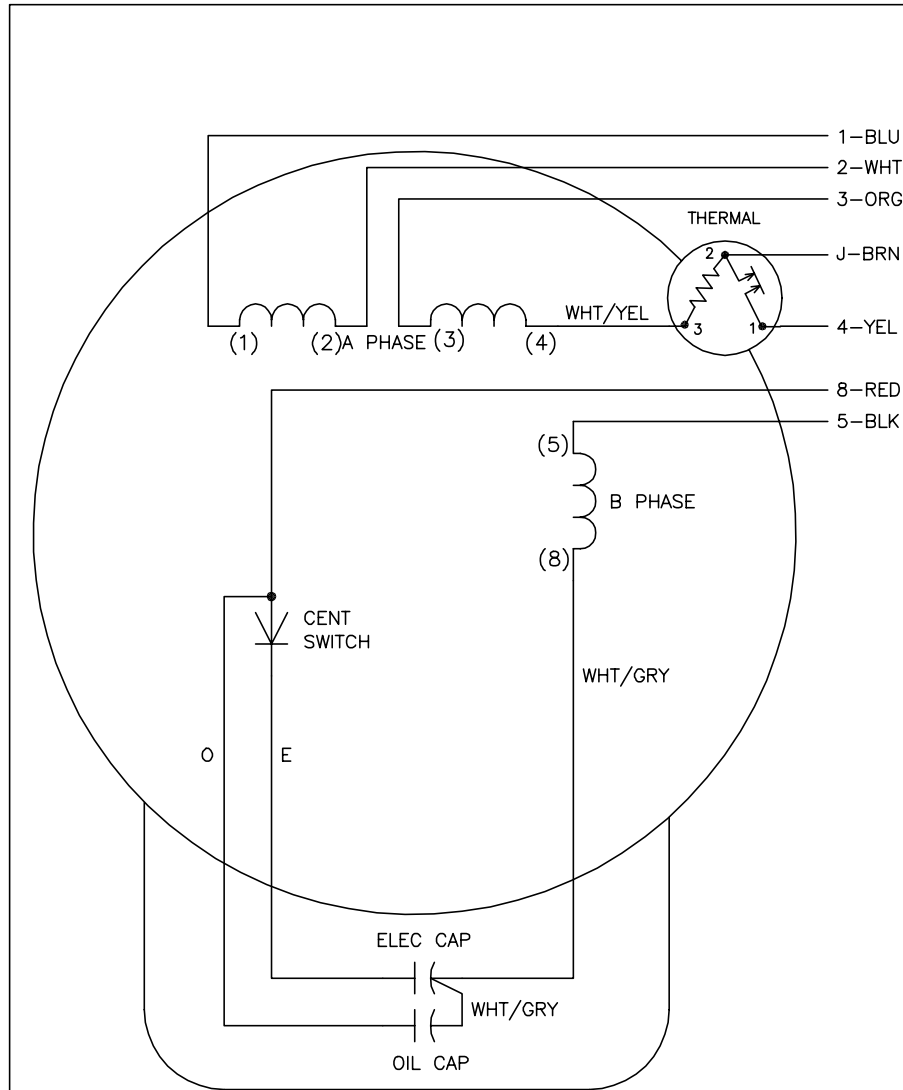
% of Rated Load	25	50	75	100	125	150	S.F.
Power Factor	62	76	84	88	90	91	89
Efficiency	49.9	65.2	72.7	75.1	76.3	76	75.8
Speed	1786	1777	1766	1756	1743	1728	1748
Line amperes	3.9	4.81	5.9	7.2	8.52	10.12	7.99

Performance Graph at 120V, 60Hz, 0.75HP Typical performance - Not guaranteed values





CD0320



	LINE A	LINE B	JOIN	JOIN
HIGH STD	1,8	4	2,3,5	J
HIGH OPP	1,5	4	2,3,8	J
LOW STD	1,3,8	4	-	2,J,5
LOW OPP	1,3,5	4	-	2,J,8

NOTES:

1. STANDARD ROTATION IS CCW FACING END OPPOSITE SHAFT EXTENSION.
2. MULTIPLE CAPACITORS ARE CONNECTED IN PARALLEL UNLESS OTHERWISE SPECIFIED.
3. LEAD COLORS ARE OPTIONAL. LEADS MUST ALWAYS BE NUMBERED AS SHOWN.

CD0320

REV. DESC: ADD INTERNAL CONNECTION TO HELP MANUFACTURING		
REV. LTR: G	VERSION: 01	TDR: 000000941594
FILE: \AAA\00007\422	REVISED: 02:21:00 08/28/2015	BY: ENALEMO
MTL: -	© □	

BALDOR

TYPE LC, DV, REV, THERMAL, B PH AMPS THRU HTR HVC, 7 LEAD

SH 1 of 1