



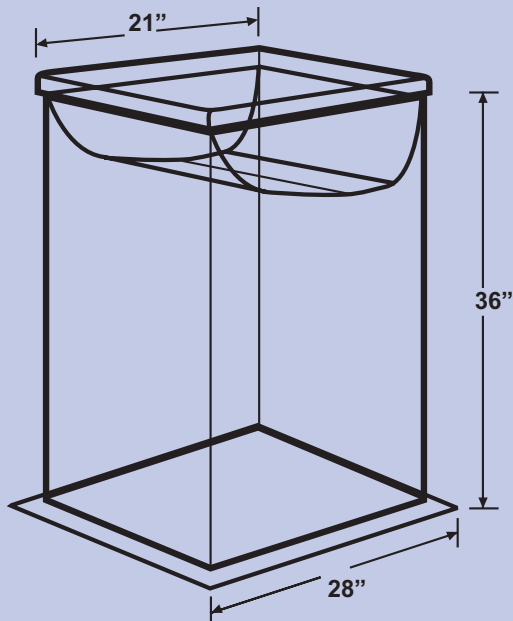
**DUMP STATION**

**300 SERIES**



**Keco's** 300 Series (also known as the "Kleen-A-Pottee") allows clients using portable toilets a clean and convenient receptacle to empty and clean their tank. There's nothing handier than a portable toilet when you need it and nothing worse than having to empty and clean it. **Keco's** "Kleen-A-Pottee" is a beneficial addition to any facility, offering services to a variety of clients with portable toilets. Reinforced fiberglass will insure that the 300 series is built to last. It's smooth interior design will prevent the trapping of solids and insure a complete drainage of waste. If your clients need a place to dump their waste, **Keco's** "Kleen-A-Pottee" is the place.

**UNDER THE COVER**



**Keco** offers four models of the 300 Series to best adapt to your facility. The Model 300G is a gravity drained unit that will discharge contents down into a sewer/septic system. **Keco's** Model 300P is plumbed with a quick connect for use with a **Keco** diaphragm pump. The Model 300D is equipped with a high powered ejector pump. This model comes standard with a level sensory system that automatically activates the ejector pump when the ejector tank is full. **Keco's** Model 300V is designed specifically for central vacuum systems. The 300V is plumbed with an electric ball valve and discharges contents using the central vacuum system.

## KLEEN-A-POTTEE



**Keco** has redesigned the 300 Series to be a more user friendly dump station. Features like gas springs allow clients to effortlessly open the top cover. A solar powered fan is mounted on top of the cover to prevent unwanted odors from discouraging use. Keco has also installed a fresh water hose to allow clients to rinse out portable toilets and the inside of the "Kleen-A-Pottee." The "Kleen-A-Pottee" can also be equipped with an auto-rinse option that would insure the interior be clean every time.





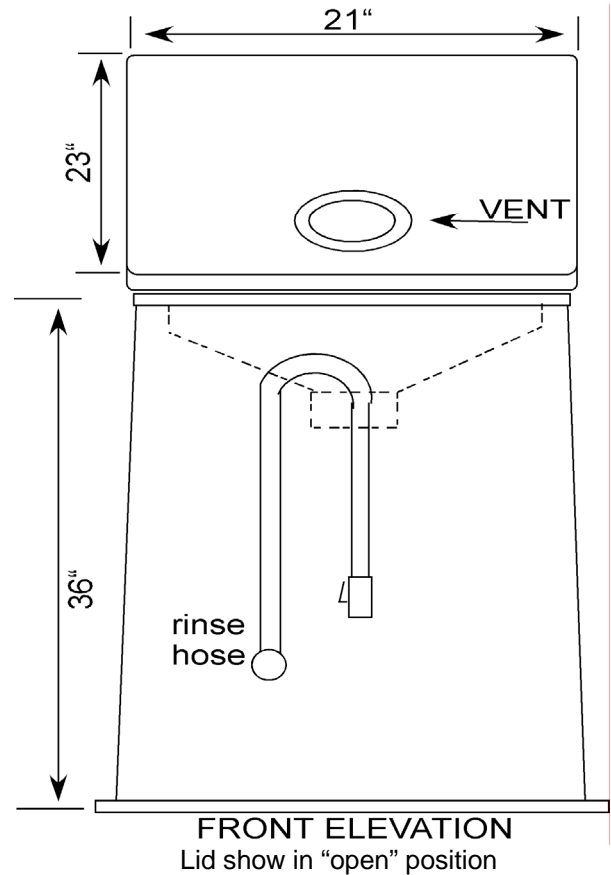
## Specifications

## Kleen-A-Pottee

### Design Considerations

- Designed to empty portable holding tanks or toilets.
  - Heavy Duty Fiberglass with UV stabilizers or Stainless Steel
  - Funnel Shaped Basin
  - Extra Wide Rim around Basin
  - Solar Fan for odor removal
  - Rinse down hose with thumb activated nozzle
  - Standard water hose connection
  - Stainless steel hinge for lid
  - Stainless Steel Lid Handle
  - Gas springs to assist opening lid
  - 3" Female threaded fitting in basin for discharge
  - 316 Stainless steel hardware
  - Operating instructions decal
  - Optional Stainless Steel
- **300G** - Gravity Drain requires P Trap in base of unit. Connects to gravity fed sewer connection
- **300P** - Plumbed includes PVC fittings on the rear of unit including check and ball valve to connect to Suction hose of Pump-Out station
- **300D** - Discharge Pump and collection basin under fiberglass enclosure. Float activates automatic discharge.  
\*\*See pump curve.
- **300V** – Vacuum system connects to unit in the base.

### Dimensions

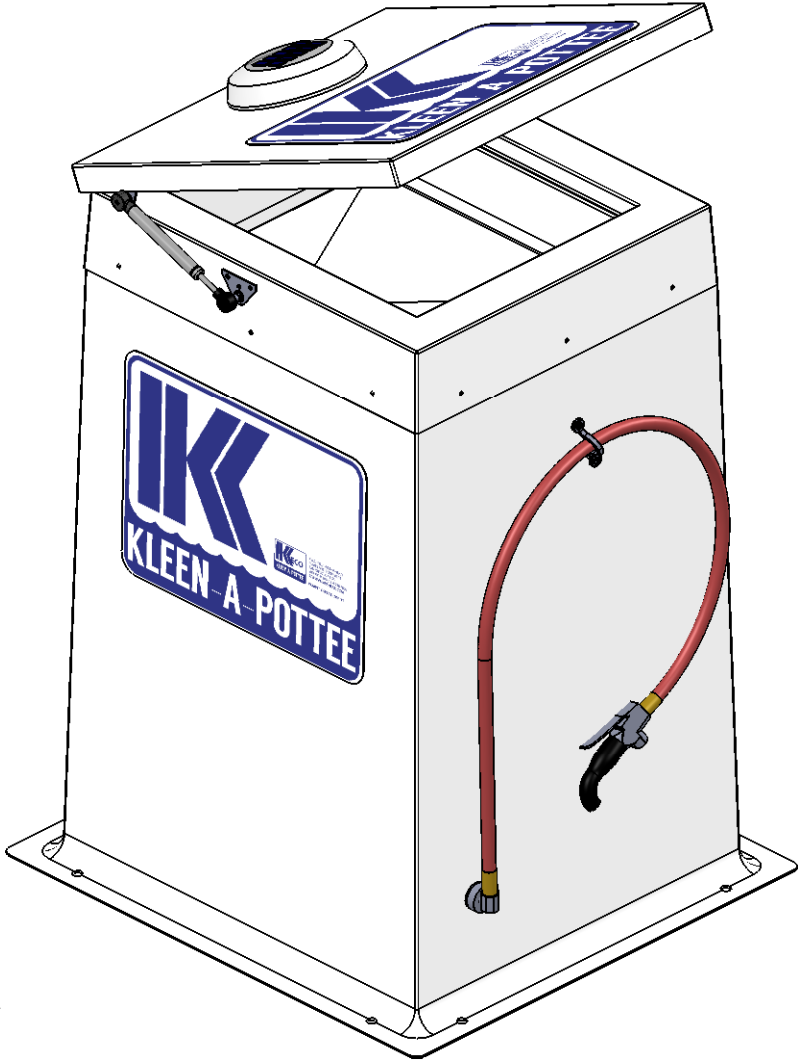


### Materials

- Reinforced fiberglass body and interior with UV stabilizers.
- 300 Grade hardware including rivets, hinge and handle.
- Stainless Steel (304-316L)

Model	Electricity required	Appx. Weight
300G	N	125 lbs
300P	N	135 lbs
300D	Y	240 lbs
300V	Y	155 lbs

The compatibility and/or application information is presented as a guide only. Other system factors may effect this information. Proper installation and selection of equipment, components, operation and maintenance are not the responsibility of KECO.



NOTES:

**PROPRIETARY AND CONFIDENTIAL**  
 THE INFORMATION CONTAINED IN THIS DRAWING IS THE SOLE PROPERTY OF KECO PUMP AND EQUIPMENT. ANY REPRODUCTION IN PART OR AS A WHOLE WITHOUT THE WRITTEN PERMISSION OF KECO PUMP AND EQUIPMENT IS PROHIBITED.

UNLESS OTHERWISE SPECIFIED:  
 DIMENSIONS ARE IN INCHES  
 TOLERANCES:  
 FRACTIONAL ± 1/32  
 ONE PLACE DECIMAL ± .1  
 TWO PLACE DECIMAL ± .03  
 THREE PLACE DECIMAL ± .020  
 ANGULAR ± .5°

MATERIAL

DRAWN	<i>AWB</i>	
REVISION #	PREVIOUS	CURRENT
	1.0	1.0

DATE: 9/1/2015

COMMENTS:

**KECO** KECO PUMP AND EQUIPMENT  
 WWW.PUMPAHEAD.COM

PART NUMBER - TITLE

KAP300 - Fiberglass KLEEN-A-POTTEE

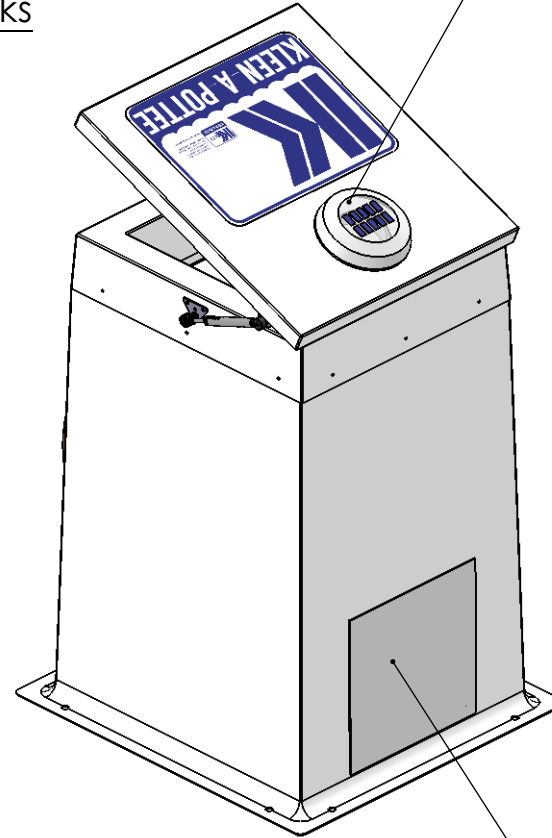
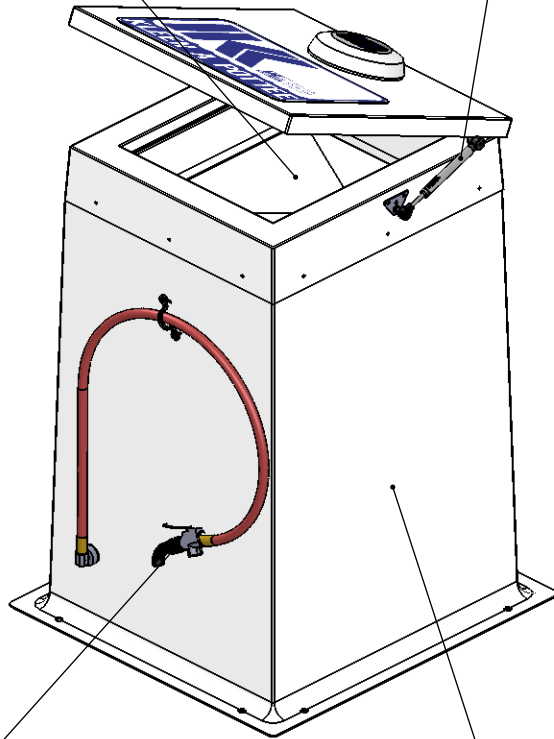
DIMENSION: INCHES / (XX) MM

SCALE: 1:9 SHEET 1 OF 3

Deep No-Clog Basin

Easy-Open Lid with Gas Shocks

Solar Powered Fan



Rinse Hose

Marine Grade Fiberglass Construction

Access Panel

NOTES:

**PROPRIETARY AND CONFIDENTIAL**

THE INFORMATION CONTAINED IN THIS DRAWING IS THE SOLE PROPERTY OF KEKO PUMP AND EQUIPMENT. ANY REPRODUCTION IN PART OR AS A WHOLE WITHOUT THE WRITTEN PERMISSION OF KEKO PUMP AND EQUIPMENT IS PROHIBITED.

UNLESS OTHERWISE SPECIFIED:

DIMENSIONS ARE IN INCHES  
TOLERANCES:  
FRACTIONAL  $\pm 1/32$   
ONE PLACE DECIMAL  $\pm .1$   
TWO PLACE DECIMAL  $\pm .03$   
THREE PLACE DECIMAL  $\pm .020$   
ANGULAR  $\pm .5^\circ$

MATERIAL

DRAWN	AWS	
REVISION #	PREVIOUS	CURRENT
	1.0	1.0

DATE: 9/1/2015

COMMENTS:



KEKO PUMP AND EQUIPMENT

WWW.PUMPAHEAD.COM

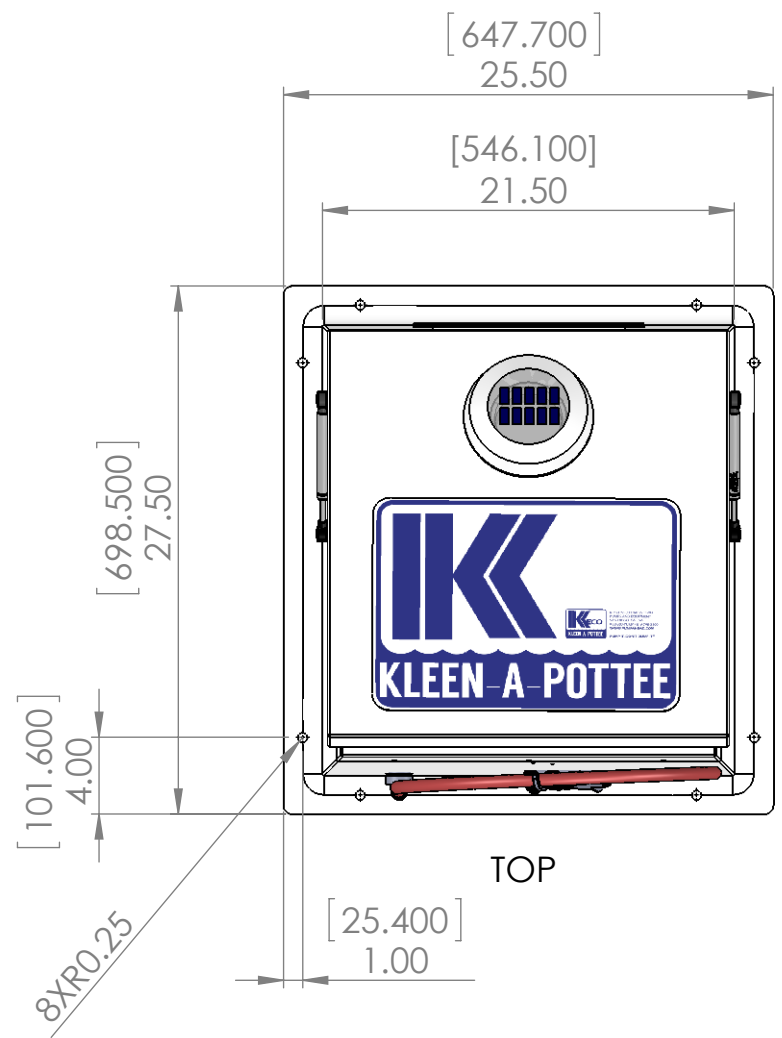
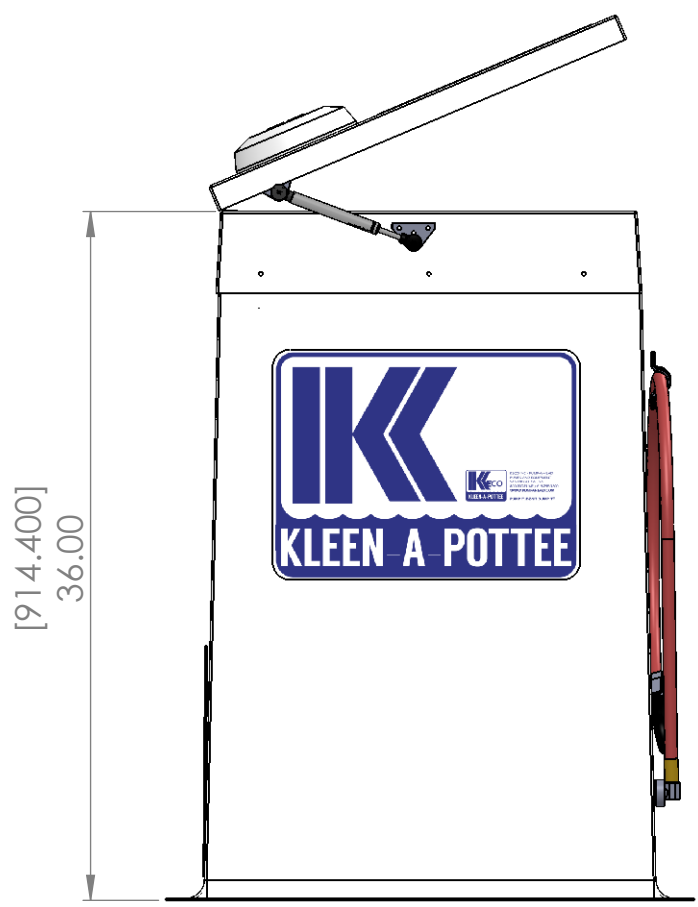
PART NUMBER - TITLE

KAP300 - Fiberglass KLEEN-A-POTTEE

DIMENSION: INCHES / (XX) MM

SCALE: 1:13

SHEET 2 OF 3



NOTES:  
MAX HEIGHT WITH LID FULLY  
EXTENDED: 60"

**PROPRIETARY AND CONFIDENTIAL**  
THE INFORMATION CONTAINED  
IN THIS DRAWING IS THE SOLE  
PROPERTY OF KECO PUMP AND  
EQUIPMENT. ANY  
REPRODUCTION IN PART OR AS  
A WHOLE WITHOUT THE  
WRITTEN PERMISSION OF  
KECO PUMP AND EQUIPMENT IS  
PROHIBITED.

UNLESS OTHERWISE SPECIFIED:  
DIMENSIONS ARE IN INCHES  
TOLERANCES:  
FRACTIONAL ± 1/32  
ONE PLACE DECIMAL ±.1  
TWO PLACE DECIMAL ±.03  
THREE PLACE DECIMAL ±.020  
ANGULAR ±.5°

MATERIAL

DRAWN	AWS	
REVISION #	PREVIOUS	CURRENT
	1.0	1.0

DATE: 9/1/2015

COMMENTS:

**KECO** KECO PUMP AND EQUIPMENT  
WWW.PUMPAHEAD.COM

PART NUMBER - TITLE

KAP300 - Fiberglass KLEEN-A-POTTEE

DIMENSION: INCHES / (XX) MM

SCALE: 1:10 SHEET 3 OF 3