

PROPRIETARY AND CONFIDENTIAL

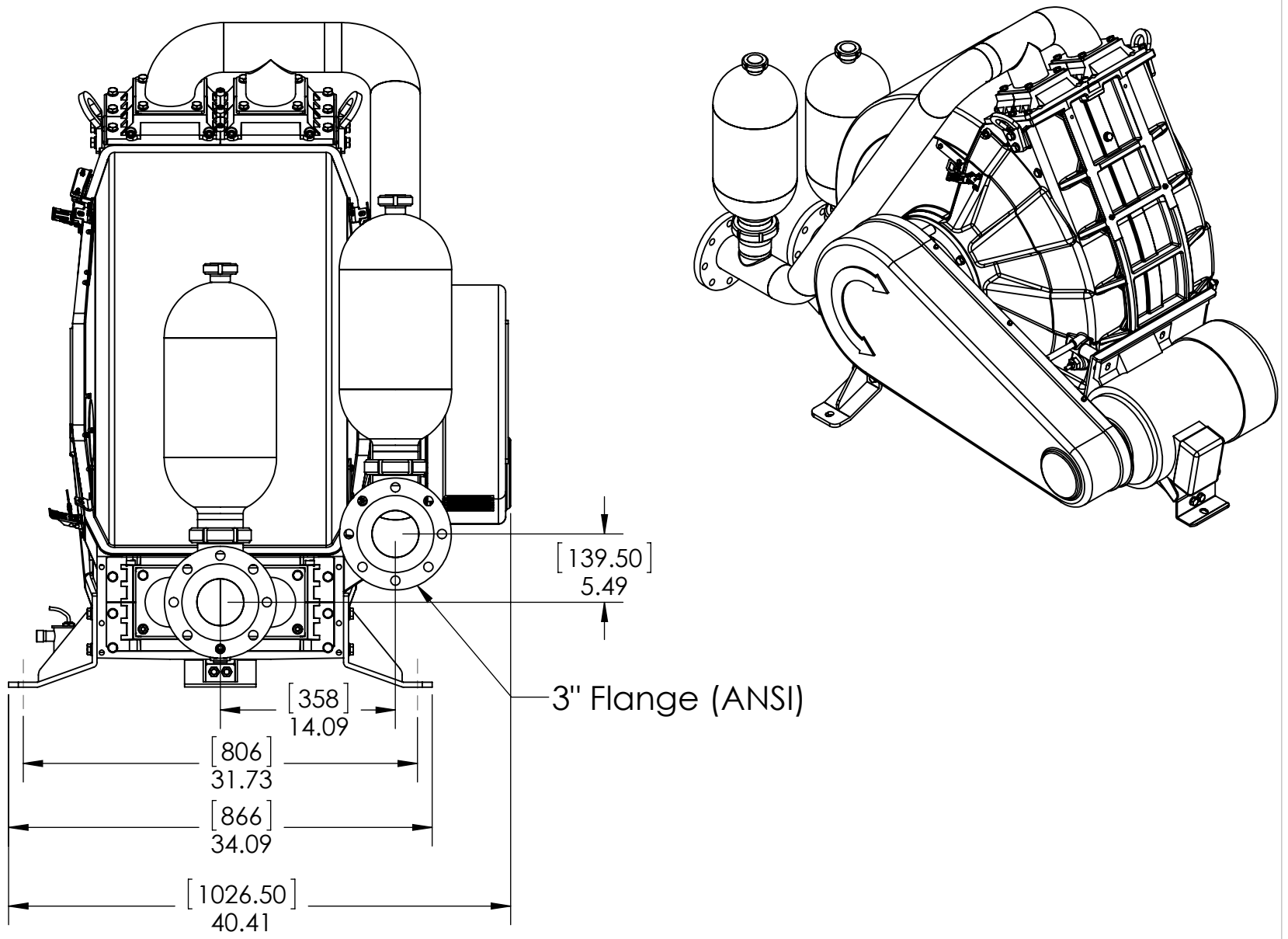
THE INFORMATION CONTAINED IN THIS DRAWING IS THE SOLE PROPERTY OF KECO INC. ANY REPRODUCTION IN PART OR AS A WHOLE WITHOUT THE WRITTEN PERMISSION OF KECO INC. IS PROHIBITED.

- Drawing Notes:
- Right Angle Worm Gear Reducer: 120 PSI (8 Bar) Max, Refer To Pump Data Sheets For Gearbox & Motor Selection.
  - Inverter Duty Motor Depicted.
  - Inlet/Outlet Right Facing (position 1).

Model: LD-76



www.kecopump.com  
800-900-7867 (PUMP)



PROPRIETARY AND CONFIDENTIAL

THE INFORMATION CONTAINED IN THIS DRAWING IS THE SOLE PROPERTY OF KECO INC. ANY REPRODUCTION IN PART OR AS A WHOLE WITHOUT THE WRITTEN PERMISSION OF KECO INC. IS PROHIBITED.

- Drawing Notes:
- Belt Drive W/ Epicycle Gear Reducer: 120 PSI (8 Bar) Max, Refer To Pump Data Sheets For Gearbox & Motor Selection.
  - Drawing depicts. optional manifold and pulse dampeners.

Model: LD-76



Low Pressure						
RPM	Gal/H	Lt/H	Pressure		HP	Kw
			PSI	BAR		
14.9	4810	18209	51	3.5	10	7.5
18.7	6054	22917	51	3.5	10	7.5
22.5	7298	27626	51	3.5	10	7.5
28.1	9131	34564	51	3.5	15	11
29.7	9655	36546	51	3.5	15	11
35.5	11553	43733	51	3.5	15	11
44.3	14433	54636	51	3.5	20	15
46.8	15252	57733	51	3.5	20	15

Medium Pressure						
RPM	Gal/H	Lt/H	Pressure		HP	Kw
			PSI	BAR		
16.9	5352	20261	116	8	15	11
18.8	5962	22567	116	8	15	11
21.4	6795	25723	116	8	20	15
23.9	7597	28758	116	8	20	15
26.8	8527	32278	116	8	20	15
30.1	9585	36283	87	6	20	15
33.6	10707	40532	87	6	20	15
37.6	11990	45387	87	6	25	18.5
41.8	13337	50485	73	5	25	18.5
46.8	14940	56554	73	5	25	18.5

High Pressure						
RPM	Gal/H	Lt/H	Pressure		HP	Kw
			PSI	BAR		
16.9	4703	17802	116	8	15	11
18.8	5261	19916	116	8	15	11
21.4	6026	22810	116	8	20	15
23.9	6761	25593	116	8	20	15
26.8	7614	28820	116	8	20	15
30.1	8584	32493	87	6	20	15
33.6	9613	36389	87	6	20	15
37.6	10789	40841	87	6	25	18.5

Variable Speed Low Pressure									
RPM		Gal/H		Lt/H		Pressure		HP	Kw
Min	Max	Min	Max	Min	Max	PSI	BAR		
3.8	20.1	1177	6512	4456	24652	51	3.5	10	7.5
4.8	25.2	1505	8182	5695	30971	51	3.5	15	9.2
5.7	30	1799	9753	6810	36918	36	2.5	15	9.2
7.3	38.2	2323	12437	8793	47078	36	2.5	15	9.2
9.1	48.1	2912	15677	11023	59344	23	1.6	15	9.2

Variable Speed Medium Pressure									
RPM		Gal/H		Lt/H		Pressure		HP	Kw
Min	Max	Min	Max	Min	Max	PSI	BAR		
3.6	20.7	1088	6571	4118	24874	87	6	20	15
4.5	26.3	1376	8367	5210	31671	87	6	20	15
5.1	29.6	1569	9425	5938	35676	87	6	20	15
6.4	37	1986	11798	7516	44659	87	6	25	18.5
8.2	47.3	2563	15100	9701	57161	58	4	25	18.5

