



Pump it, Don't Dump it!®

MODEL: 900 Portable Pump-Out Cart



The 900 series cart features Keco's 1.5 HP peristaltic pump. The pump itself comes with stainless steel frame, leak detection shutdown, 3 year warranty and 13 GPM flow rate.

OVERVIEW

Keco's portable 900 series is built with the customer in mind. Assembled using all stainless steel hardware and a heavy duty marine grade aluminum frame, the 900 series is built to last. 9" stainless steel locking swivel casters and 18" pneumatic tires allow the 900 series to effortlessly move throughout your facility. The 900 series is a great way to offer boaters a quick and clean pumpout, without the hassle of expensive plumbing. Keco's 900 series has a tank overflow protector that automatically shuts the pump off when the tank is full, preventing messy mistakes.

Keco's 900 series is equipped with a solid state UL-Listed control panel which allows users to fill and empty the onboard tank by simply flipping a switch. This intuitive design eliminates the complication of diversion valves and separate discharge hoses.

FEATURES

- 8" Stainless Steel swivel casters with non-metallic bearing & brake
- Optional Honda 3.0 HP 4 stroke engine with low oil shutoff
- Optional Trailer Hitch (*unit not approved for highway usage*)
- T-6 Aluminum portable cart, axle, hose rack and push/pull handle.
- PVC components Schedule 40/80

SPECS

- Dimensions (LxWxH):
54" x 38" x 48" W/ Hose Rack
44" x 38" x 48" W / Out Hose Rack
- Weight: 210 lbs Empty / 545 lbs Full



Solid State Controller



Overfill Protection



Heavy Duty Hose Rack



18" Non-Metallic Wheels

PORTABLE PUMP-OUT CART





Call Toll Free **800.900.PUMP**
 ph. 619.298.3800 | fax: 619.298.3300

Pump it, Don't Dump it!®

MODEL: 900 Portable Pump-Out Cart



Optional Trailer Hitch



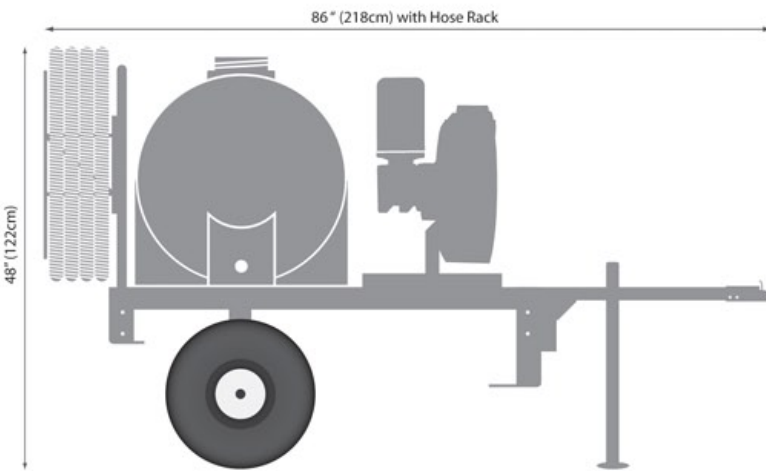
Offload Hydrant's Available



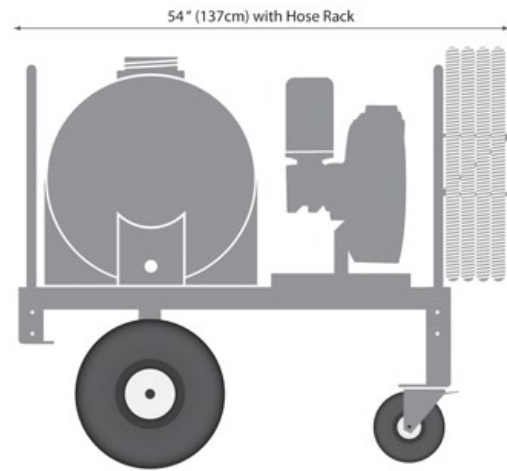
Gasoline Engine Available



Suction Hose & Accessories



* Maximum Width 38" (96.5cm)



* Maximum Width 38" (96.5cm)

PORTABLE PUMP-OUT CART

MODEL	CAPACITY (Max)	POWER DRIVE	TRAILER HITCH AVAILABLE
909-E	35 Gal / 130 L	1.5 HP 110/240 1PH 50/60 Hz	✓ YES
909-G *	35 Gal / 130 L	3 / 3.5 HP Gasoline Engine 4 Stroke Honda/Briggs & Stratton	✓ YES
910-E	55 Gal / 210 L	1.5 HP 110/240 1PH 50/60 Hz	✓ YES
910-G *	55 Gal / 210 L	3 / 3.5 HP Gasoline Engine 4 Stroke Honda/Briggs & Stratton	✓ YES

* Gas Driven Pumps cannot be run in reverse and require additional valving



Model PRE909E/PRE910E Portable (Electric Motor)



NOTES:
 PRE909 - 35 Gallon Capacity
 PRE910 - 55 Gallon Capacity

 E - Electric Models
 G - Gasoline Models

PROPRIETARY AND CONFIDENTIAL

THE INFORMATION CONTAINED IN THIS DRAWING IS THE SOLE PROPERTY OF KECO PUMP AND EQUIPMENT. ANY REPRODUCTION IN PART OR AS A WHOLE WITHOUT THE WRITTEN PERMISSION OF KECO PUMP AND EQUIPMENT IS PROHIBITED.

UNLESS OTHERWISE SPECIFIED:

TOLERANCES:
 X.X +/- 0.200
 X.XX +/- 0.063
 X.XXX +/- 0.032
 WELDING +/- 0.125
 HOLE SIZING + 0.063
 MACHINED SURFACE +/- 0.032

MATERIAL

DRAWN	<i>AWB</i>	
REVISION #	PREVIOUS	CURRENT
	1.0	1.0

DATE: 9/29/2015

COMMENTS:

KECO PUMP AND EQUIPMENT
 WWW.PUMPAHEAD.COM

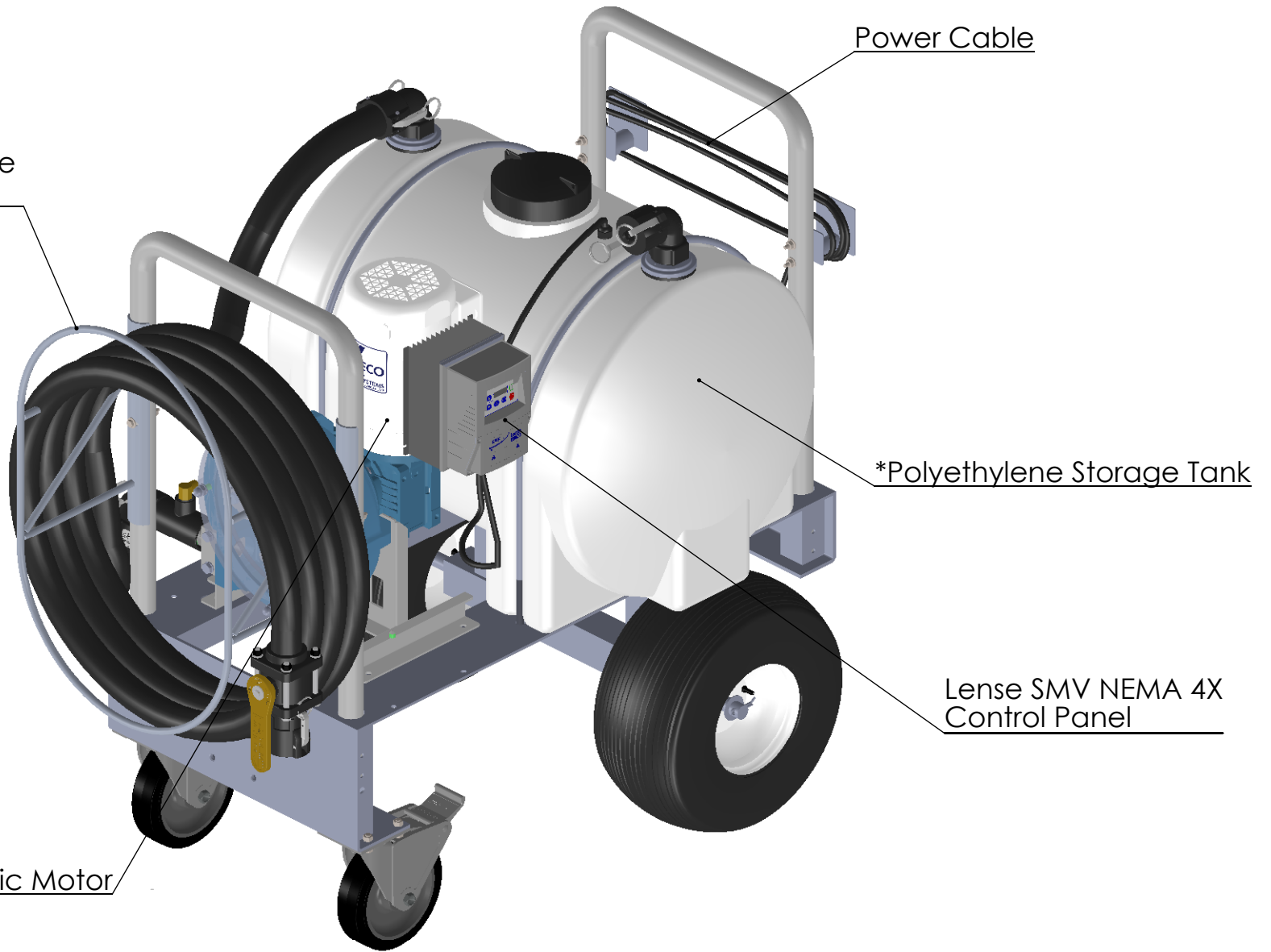
PART NUMBER - TITLE

PRE909_PRE910-E - 900 Series Portable
 Pump-Out Cart S26

DIMENSION: INCHES / [MM]

SCALE: 1:10

SHEET 1 OF 7



NOTES:

*STORAGE TANKS AVAILABLE IN
35 GALLON (133 Liters)
55 GALLON (208 Liters)

PROPRIETARY AND CONFIDENTIAL

THE INFORMATION CONTAINED IN THIS DRAWING IS THE SOLE PROPERTY OF KEKO PUMP AND EQUIPMENT. ANY REPRODUCTION IN PART OR AS A WHOLE WITHOUT THE WRITTEN PERMISSION OF KEKO PUMP AND EQUIPMENT IS PROHIBITED.

UNLESS OTHERWISE SPECIFIED:

TOLERANCES:
X.X +/- 0.200
X.XX +/- 0.063
X.XXX +/- 0.032
WELDING +/- 0.125
HOLE SIZING + 0.063
MACHINED SURFACE +/- 0.032

MATERIAL

DRAWN	AWS	
REVISION #	PREVIOUS	CURRENT
	1.0	1.0

DATE: 9/29/2015

COMMENTS:

KEKO PUMP AND EQUIPMENT
WWW.PUMPAHEAD.COM

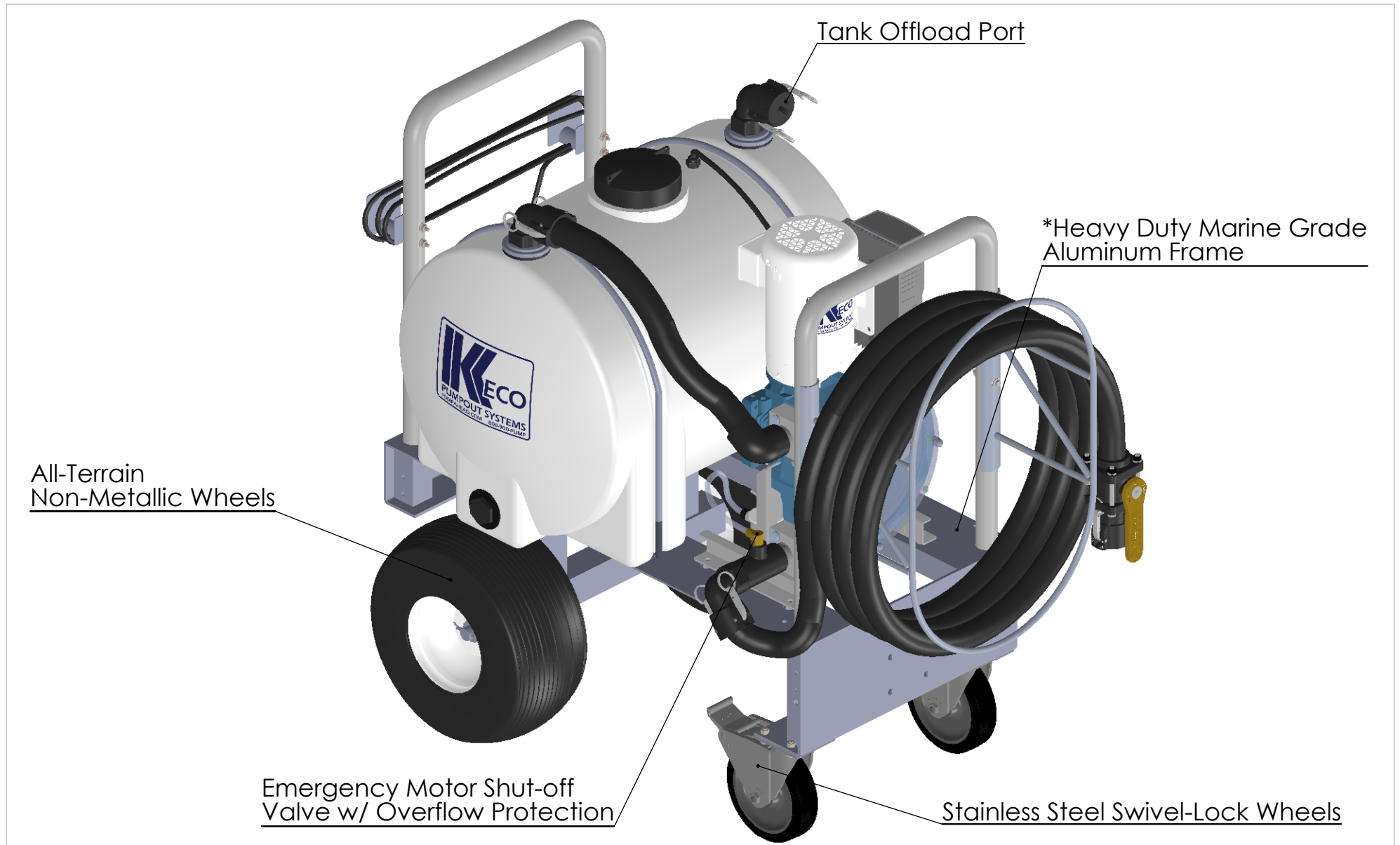
PART NUMBER - TITLE

PRE909_PRE910-E - 900 Series Portable Pump-Out Cart S26

DIMENSION: INCHES / [MM]

SCALE: 1:10

SHEET 2 OF 7



NOTES:
 *ANODIZED FINISH OPTION FOR ADDED SALT WATER PROTECTION

PROPRIETARY AND CONFIDENTIAL
 THE INFORMATION CONTAINED IN THIS DRAWING IS THE SOLE PROPERTY OF KEKO PUMP AND EQUIPMENT. ANY REPRODUCTION IN PART OR AS A WHOLE WITHOUT THE WRITTEN PERMISSION OF KEKO PUMP AND EQUIPMENT IS PROHIBITED.

UNLESS OTHERWISE SPECIFIED:
 TOLERANCES:
 X.X +/- 0.200
 X.XX +/- 0.063
 X.XXX +/- 0.032
 WELDING +/- 0.125
 HOLE SIZING + 0.063
 MACHINED SURFACE +/- 0.032

MATERIAL

DRAWN	AWS	
REVISION #	PREVIOUS	CURRENT
	1.0	1.0

DATE: 9/29/2015

COMMENTS:

KEKO PUMP AND EQUIPMENT
 WWW.PUMPAHEAD.COM

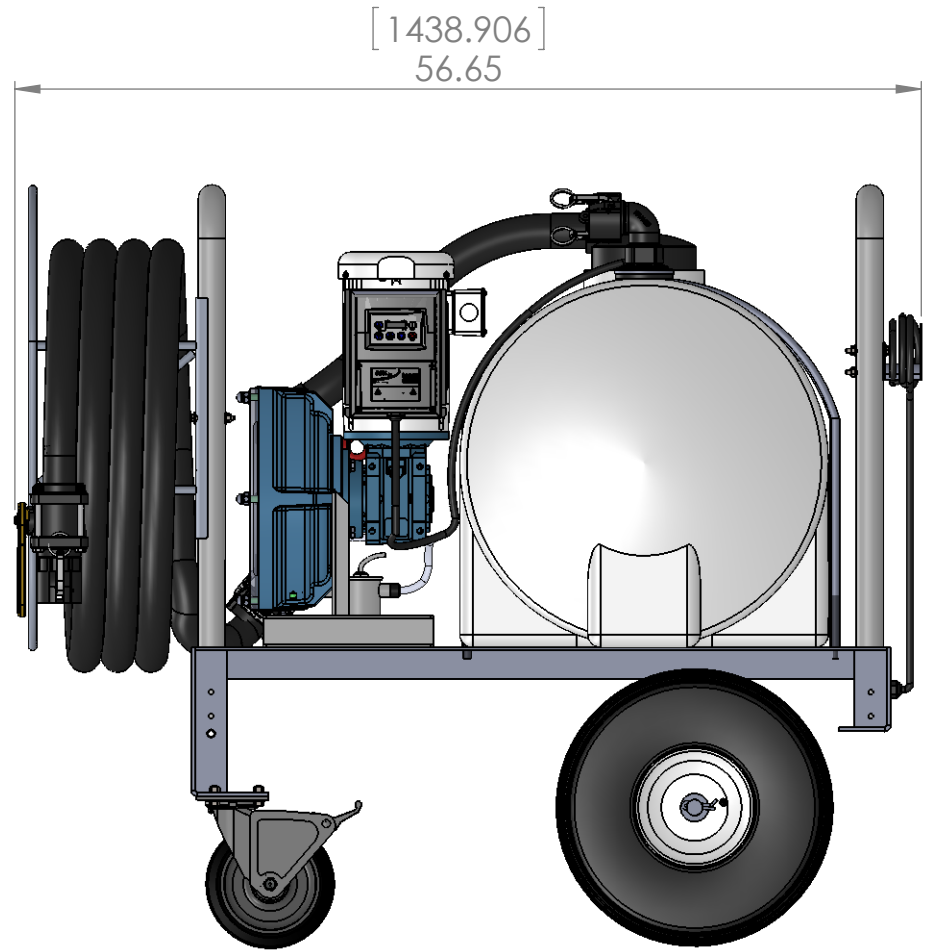
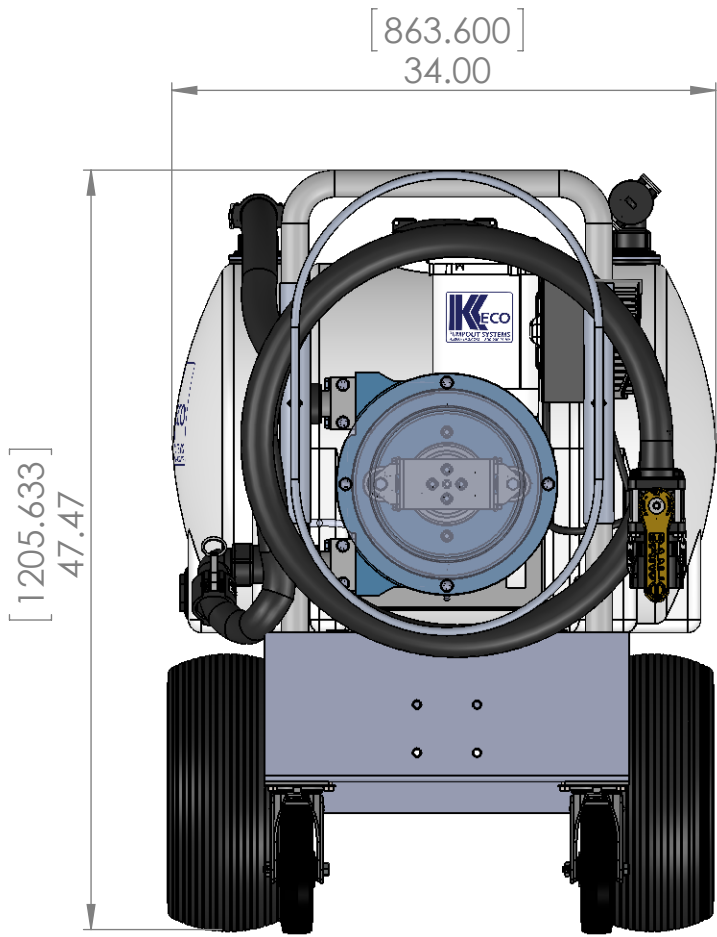
PART NUMBER - TITLE

PRE909_PRE910-E - 900 Series Portable Pump-Out Cart S26

DIMENSION: INCHES / [MM]

SCALE: 1:10

SHEET 3 OF 7



NOTES:

PROPRIETARY AND CONFIDENTIAL

THE INFORMATION CONTAINED IN THIS DRAWING IS THE SOLE PROPERTY OF KEKO PUMP AND EQUIPMENT. ANY REPRODUCTION IN PART OR AS A WHOLE WITHOUT THE WRITTEN PERMISSION OF KEKO PUMP AND EQUIPMENT IS PROHIBITED.

UNLESS OTHERWISE SPECIFIED:

TOLERANCES:
 X.X +/- 0.200
 X.XX +/- 0.063
 X.XXX +/- 0.032
 WELDING +/- 0.125
 HOLE SIZING + 0.063
 MACHINED SURFACE +/- 0.032

MATERIAL

DRAWN	<i>AWB</i>	
REVISION #	PREVIOUS	CURRENT
	1.0	1.0

DATE: 9/29/2015

COMMENTS:

KEKO KEKO PUMP AND EQUIPMENT
 WWW.PUMPAHEAD.COM

PART NUMBER - TITLE

PRE909_PRE910-E - 900 Series Portable Pump-Out Cart S26

DIMENSION: INCHES / [MM]

SCALE: 1:12

SHEET 4 OF 7





Read the instructions carefully before using the product. Do not use the product on children or animals. Do not use the product on electrical equipment. Do not use the product on surfaces that may be damaged by high pressure. Do not use the product on surfaces that are not designed for high pressure cleaning. Do not use the product on surfaces that are not designed for high pressure cleaning. Do not use the product on surfaces that are not designed for high pressure cleaning.

KECO
HIGH PRESSURE
WASHERS

www.keco.com
1-800-850-8500