

### Industry First, Self Contained PumpOut Cart:

KECO is proud to introduce a new line of self propelled and self powered electric pumpout carts. The revolutionary line of portable carts greatly simplifies the user experience and eliminates the need to push or pull a heavy pumpout cart around a marinas property.

A truly unique feature is that the waste pump and the motorized cart share a common rechargeable battery pack. This allows the user to simply drive the cart to the slip and start the pump without the need to connect the pump to a power pedestal or start a separate gasoline engine.

The unit has a combined operating time (pumping or driving) exceeding 4 hours on a single charge. When the cart is not in use it is connected to an electrical supply (115/230V 50/60Hz) and the integrated battery charger maintains optimal battery performance. All electronics are marine grade and the entire system is designed to be washed down after use.

All units are equipped with standard safety features which include an automatic parking brake, runaway cart protection and tank overfill w/ automatic pump shut off. All units come equipped with an on/off key switch to prevent unauthorized use.

The power pumpout carts are based on the popular 500 & 900 series KECO portable pump systems and are available in both diaphragm and peristaltic pump models. The modular / skid design is constructed of aluminum and powder coated to US military specifications. The ingenious design allows customers to access all drive and battery components without disturbing the pumping system.

For additional information, please contact KECO Inc., via phone 800-900-PUMP (USA) / 619-298-3800 (Intl.) or by email [sales@pumpahead.com](mailto:sales@pumpahead.com).

# PAH560 - Self Powered Diaphragm Pump Cart



**NOTES:**

**PROPRIETARY AND CONFIDENTIAL**

THE INFORMATION CONTAINED IN THIS DRAWING IS THE SOLE PROPERTY OF KECO PUMP AND EQUIPMENT. ANY REPRODUCTION IN PART OR AS A WHOLE WITHOUT THE WRITTEN PERMISSION OF KECO PUMP AND EQUIPMENT IS PROHIBITED.

UNLESS OTHERWISE SPECIFIED:


TOLERANCES:  
 X.X +/- 0.200  
 X.XX +/- 0.063  
 X.XXX +/- 0.032  
 WELDING +/- 0.125  
 HOLE SIZING + 0.063  
 MACHINED SURFACE +/- 0.032

MATERIAL

DRAWN	<i>AWB</i>	
REVISION #	PREVIOUS	CURRENT
	1.0	1.0

DATE: 9/30/2016

COMMENTS:

	KECO PUMP AND EQUIPMENT
	WWW.PUMPAHEAD.COM

PART NUMBER - TITLE

Junior Force Main Self Propelled Cart

DIMENSION: INCHES / [ MM ]

SCALE: 1:12 SHEET 1 OF 4

Forward/ Reverse Controls  
0-3 MPH w/ Safety Stop

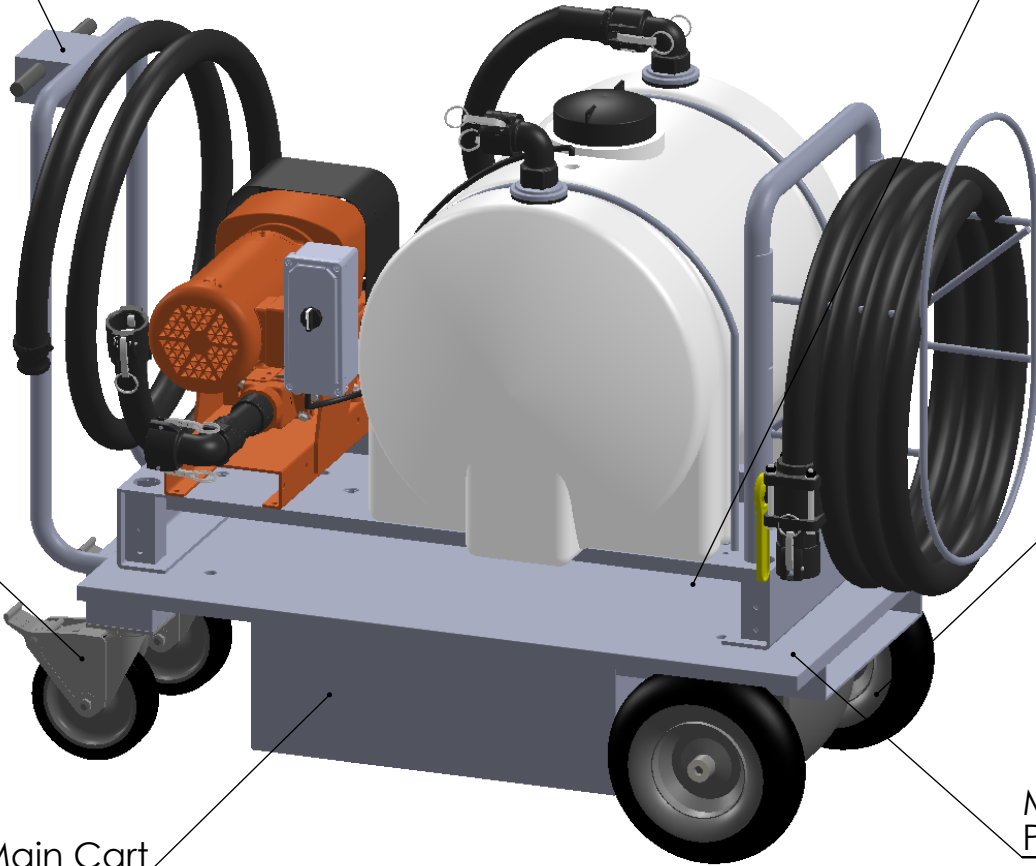
\*Integrated Charger  
115/230V Input

Stainless Steel  
Swivel-Lock Wheels

All-Terrain Wheels

Self Powered Force Main Cart

Marine Grade  
Protective Coating



NOTES:

\*Up to 8 Hours Run Time on a Single Charge

**PROPRIETARY AND CONFIDENTIAL**

THE INFORMATION CONTAINED IN THIS DRAWING IS THE SOLE PROPERTY OF KEKO PUMP AND EQUIPMENT. ANY REPRODUCTION IN PART OR AS A WHOLE WITHOUT THE WRITTEN PERMISSION OF KEKO PUMP AND EQUIPMENT IS PROHIBITED.

UNLESS OTHERWISE SPECIFIED:

TOLERANCES:  
 X.X +/- 0.200  
 X.XX +/- 0.063  
 X.XXX +/- 0.032  
 WELDING +/- 0.125  
 HOLE SIZING + 0.063  
 MACHINED SURFACE +/- 0.032

MATERIAL

DRAWN	<i>AWS</i>	
REVISION #	PREVIOUS	CURRENT
	1.0	1.0

DATE: 9/30/2016

COMMENTS:



KEKO PUMP AND EQUIPMENT  
WWW.PUMPAHEAD.COM

PART NUMBER - TITLE

Junior Force Main Self Propelled Cart

DIMENSION: INCHES / [ MM ]

SCALE: 1:10

SHEET 2 OF 4

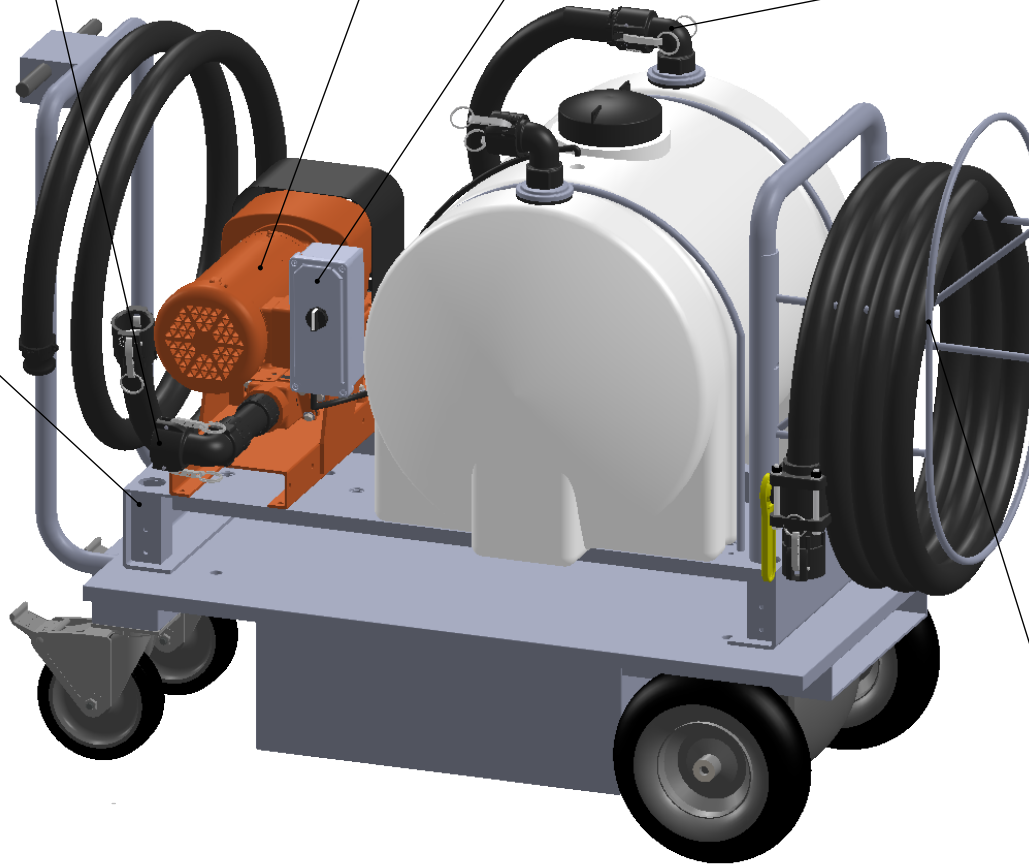
High Efficiency Electric Motor

NEMA 4X Control Box

\*Integrated Suction Manifold

\*Integrated Discharge Manifold

Marine Grade Aluminum Skid



Suction Hose Storage  
Up to 100'

NOTES:

\*STANDARD PLUMBING MANIFOLDS INCLUDE DISCONNECT UNIONS, ISOLATION VALVE AND VACUUM/PRESSURE GAUGE PORTS

PROPRIETARY AND CONFIDENTIAL

THE INFORMATION CONTAINED IN THIS DRAWING IS THE SOLE PROPERTY OF KEKO PUMP AND EQUIPMENT. ANY REPRODUCTION IN PART OR AS A WHOLE WITHOUT THE WRITTEN PERMISSION OF KEKO PUMP AND EQUIPMENT IS PROHIBITED.

UNLESS OTHERWISE SPECIFIED:

TOLERANCES:  
 X.X +/- 0.200  
 X.XX +/- 0.063  
 X.XXX +/- 0.032  
 WELDING +/- 0.125  
 HOLE SIZING + 0.063  
 MACHINED SURFACE +/- 0.032

MATERIAL

DRAWN	AWS	
REVISION #	PREVIOUS	CURRENT
	1.0	1.0

DATE: 9/30/2016

COMMENTS:

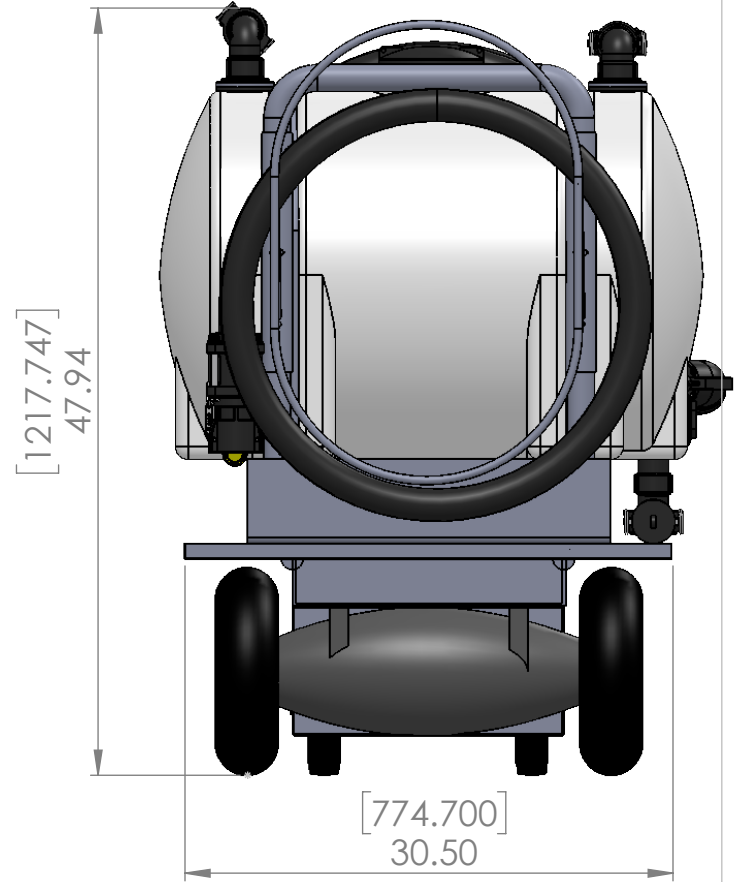
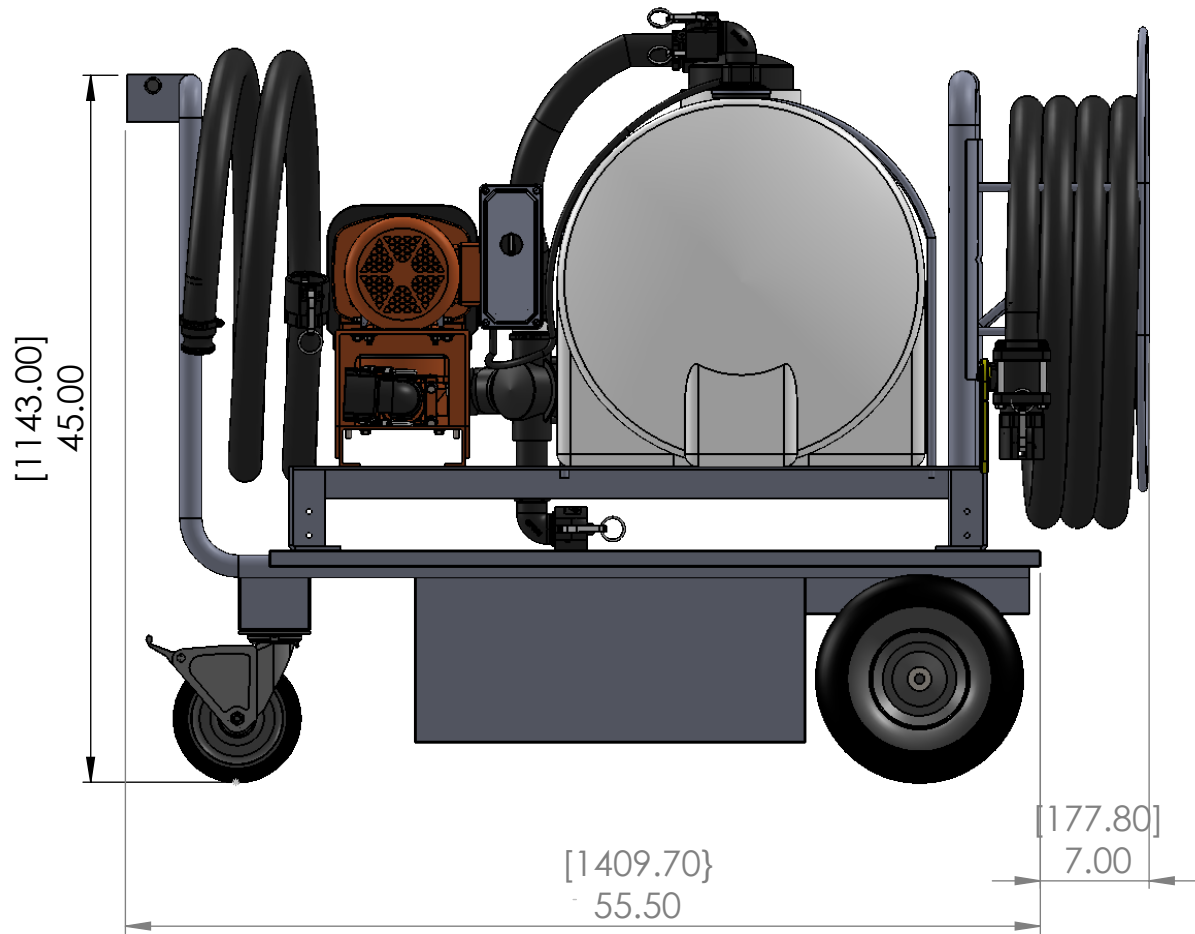
**KEKO** KEKO PUMP AND EQUIPMENT  
 WWW.PUMPAHEAD.COM

PART NUMBER - TITLE

Junior Force Main Self Propelled Cart

DIMENSION: INCHES / [ MM ]

SCALE: 1:12 SHEET 3 OF 4



NOTES:  
 Start/Stop Controls Not Depicted  
 Suction/ Discharge Plumbing Connects Not Depicted

**PROPRIETARY AND CONFIDENTIAL**  
 THE INFORMATION CONTAINED IN THIS DRAWING IS THE SOLE PROPERTY OF KEKO PUMP AND EQUIPMENT. ANY REPRODUCTION IN PART OR AS A WHOLE WITHOUT THE WRITTEN PERMISSION OF KEKO PUMP AND EQUIPMENT IS PROHIBITED.

UNLESS OTHERWISE SPECIFIED:  
 TOLERANCES:  
 X.X +/- 0.200  
 X.XX +/- 0.063  
 X.XXX +/- 0.032  
 WELDING +/- 0.125  
 HOLE SIZING + 0.063  
 MACHINED SURFACE +/- 0.032  
 MATERIAL

DRAWN	<i>AWB</i>	
REVISION #	PREVIOUS	CURRENT
	1.0	1.0

DATE: 9/30/2016

COMMENTS:

**KEKO** KEKO PUMP AND EQUIPMENT  
 WWW.PUMPAHEAD.COM

PART NUMBER - TITLE

Junior Force Main Self Propelled Cart

DIMENSION: INCHES / [ MM ]

SCALE: 1:10 SHEET 4 OF 4





**K**  
PUMP-A-HEAD

**K**  
PUMP-A-HEAD

rupt  
ORT BEACH,



**KK**  
PUMP-A-HEAD

**KK**  
PUMP-A-HEAD







**IK**  
PUMP-A-HEAD

**IK**  
PUMP-A-HEAD

WARNING  
CAUTION



**K**  
PUMP-A-HEAD

**K**  
PUMP-A-HEAD

CYCLE



**K**  
PUMP-A-HEAD

**K**  
PUMP-A-HEAD

VATO