



Pump it, Don't Dump it!®

MODEL: 509 / 510 Portable Pump-Out Cart



The Model 509 was designed with the customer in mind. Assembled using a light weight aluminum frame and Keco's rugged diaphragm pump, this cart is easy to maneuver and built to last.

OVERVIEW

Keco's portable 500 series is built with the customer in mind. Assembled using all stainless steel hardware and a heavy duty marine grade aluminum frame, the 500 series is built to last. 9" stainless steel locking swivel casters and 18" pneumatic tires allow the 500 series to effortlessly move throughout your facility. The 500 series is a great way to offer boaters a quick and clean pumpout, without the hassle of expensive plumbing. Keco's 500 series has a tank overflow protector that automatically shuts the pump off when the tank is full, preventing messy mistakes.

All pump components are assembled using non-corrosive materials, and finished with the same innovative three layer coating process found on offshore oil rigs. This pump is designed specifically for pumping sewage, and can pass solids up to 1.5" in diameter. Maintenance on the pump is very infrequent and only requires two .5" wrenches.

FEATURES

- 8" Stainless Steel swivel casters with non-metallic bearing & brake
- Optional Honda 3.0 HP 4 stroke engine with low oil shutoff
- Optional Trailer Hitch (*unit not approved for highway usage*)
- T-6 Aluminum portable cart, axle, hose rack and push/pull handle.
- PVC components Schedule 40/80

SPECS

- Dimensions (*LxWxH*):
54" x 38" x 48" W/ Hose Rack
44" x 38" x 48" W / Out Hose Rack
- Weight: 210 lbs Empty / 545 lbs Full



3 Position Offload Valve



Overfill Protection



Heavy Duty Hose Rack



18" Non-Metallic Wheels

PORTABLE PUMP-OUT CART





Call Toll Free **800.900.PUMP**
 ph. 619.298.3800 | fax: 619.298.3300

Pump it, Don't Dump it!®

MODEL: 509 / 510 Portable Pump-Out Cart



Optional Trailer Hitch



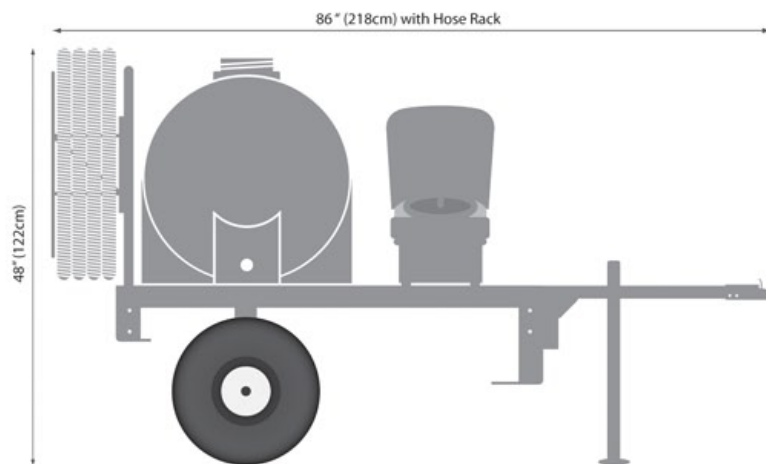
Offload Hydrant's Available



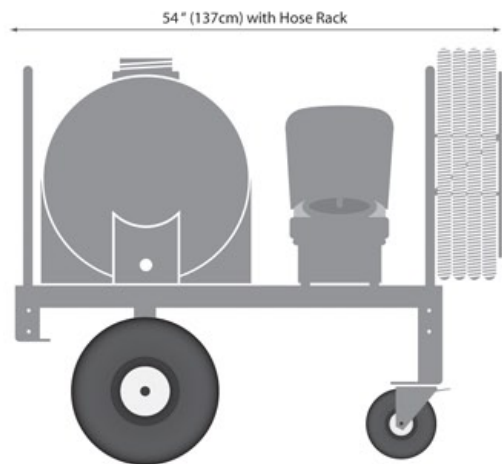
Gasoline Engine Available



Suction Hose & Accessories



* Maximum Width 38" (96.5cm)



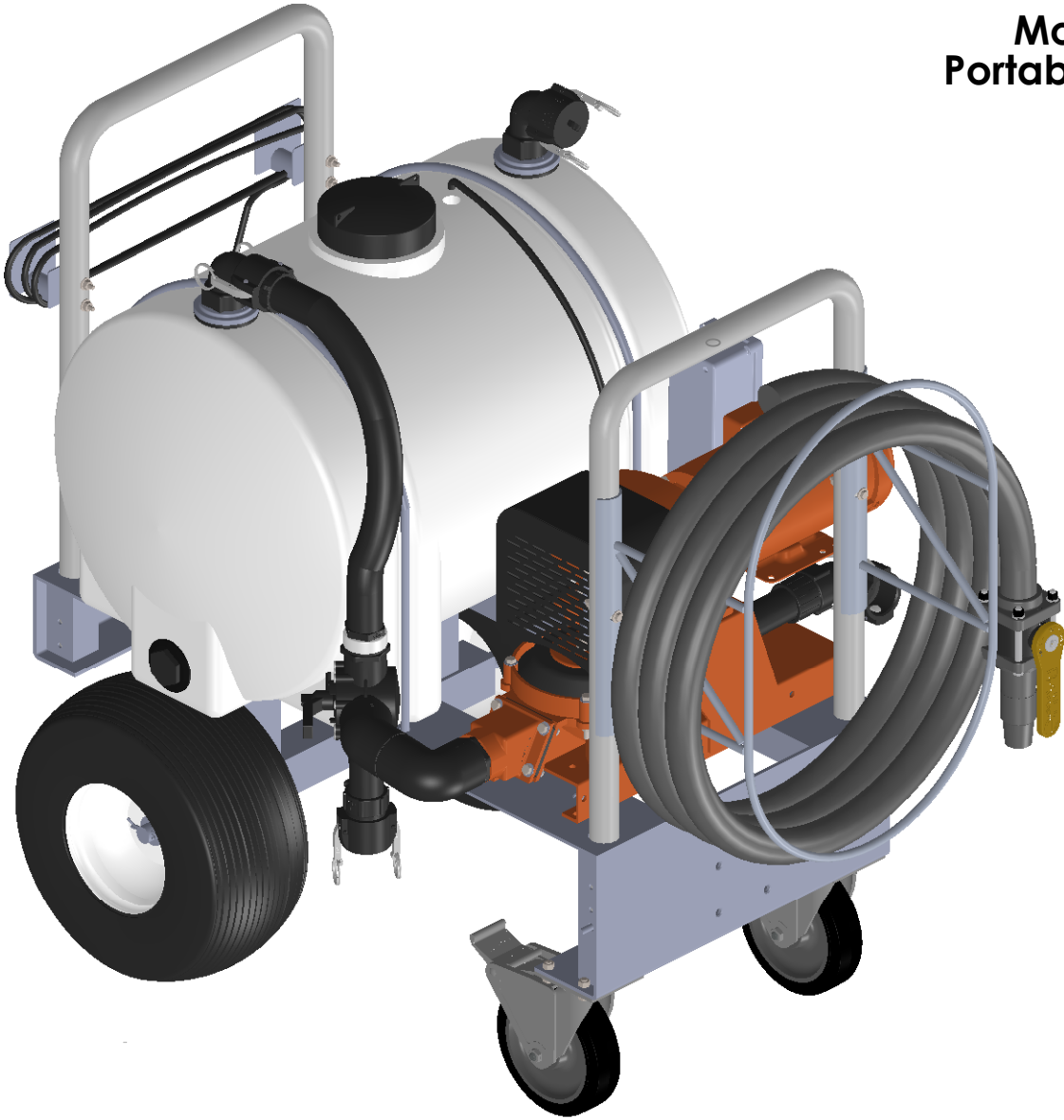
* Maximum Width 38" (96.5cm)

PORTABLE PUMP-OUT CART

MODEL	CAPACITY (Max)	POWER DRIVE	TRAILER HITCH AVAILABLE
509-E	35 Gal / 130 L	3/4 HP TEFC 110/240 1PH 50/60 Hz	✓ YES
509-G	35 Gal / 130 L	3 / 3.5 HP Gasoline Engine 4 Stroke Honda/Briggs & Stratton	✓ YES
510-E	55 Gal / 210 L	3/4 HP TEFC 110/240 1PH 50/60 Hz	✓ YES
510-G	55 Gal / 210 L	3 / 3.5 HP Gasoline Engine 4 Stroke Honda/Briggs & Stratton	✓ YES



**Model 510E/509E
Portable (Electric Motor)**



NOTES:
PAH509 - 35 Gallon Capacity
PAH510 - 55 Gallon Capacity

E - Electric Models
G - Gasoline Models

PROPRIETARY AND CONFIDENTIAL
THE INFORMATION CONTAINED IN THIS DRAWING IS THE SOLE PROPERTY OF KEKO PUMP AND EQUIPMENT. ANY REPRODUCTION IN PART OR AS A WHOLE WITHOUT THE WRITTEN PERMISSION OF KEKO PUMP AND EQUIPMENT IS PROHIBITED.

UNLESS OTHERWISE SPECIFIED:
DIMENSIONS ARE IN INCHES
TOLERANCES:
FRACTIONAL $\pm 1/32$
ONE PLACE DECIMAL $\pm .1$
TWO PLACE DECIMAL $\pm .03$
THREE PLACE DECIMAL $\pm .020$
ANGULAR $\pm .5^\circ$

MATERIAL

DRAWN	<i>AWB</i>	
REVISION #	PREVIOUS	CURRENT
	1.0	1.0

DATE: 8/20/2015

COMMENTS:

KEKO PUMP AND EQUIPMENT
WWW.PUMPAHEAD.COM

PART NUMBER - TITLE

PAH540.ELE - PORTABLE WITH ELECTRIC MOTOR

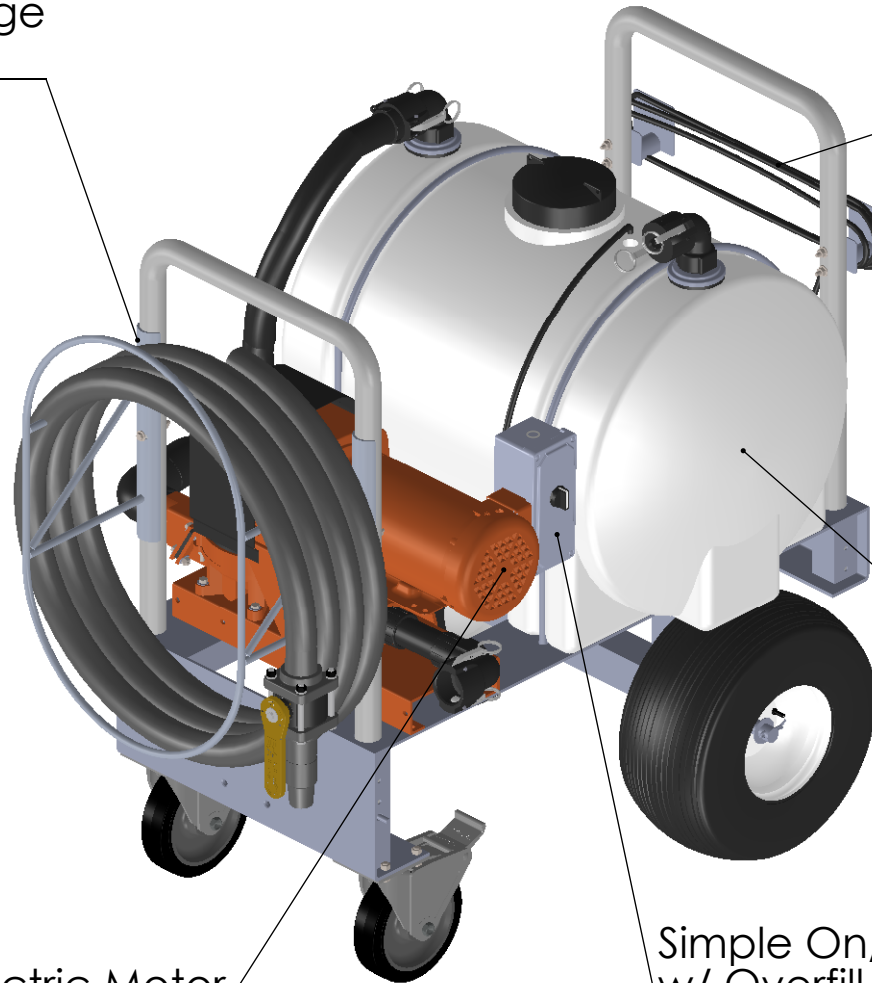
DIMENSION: INCHES / (XX) MM

SCALE: 1:10

SHEET 1 OF 7

Suction Hose Storage
(Up to 100')

Power Cable



*Polyethylene Storage Tank

High Efficiency Electric Motor

Simple On/Off Switch
w/ Overfill Protection

NOTES:

*STORAGE TANKS AVAILABLE IN
35 GALLON (133 Liters)
55 GALLON (208 Liters)

PROPRIETARY AND CONFIDENTIAL

THE INFORMATION CONTAINED
IN THIS DRAWING IS THE SOLE
PROPERTY OF KEKO PUMP AND
EQUIPMENT. ANY
REPRODUCTION IN PART OR AS
A WHOLE WITHOUT THE
WRITTEN PERMISSION OF
KEKO PUMP AND EQUIPMENT IS
PROHIBITED.

UNLESS OTHERWISE SPECIFIED:

DIMENSIONS ARE IN INCHES
TOLERANCES:
FRACTIONAL $\pm 1/32$
ONE PLACE DECIMAL $\pm .1$
TWO PLACE DECIMAL $\pm .03$
THREE PLACE DECIMAL $\pm .020$
ANGULAR $\pm .5^\circ$

MATERIAL

DRAWN	<i>AWS</i>	
REVISION #	PREVIOUS	CURRENT
	1.0	1.0

DATE: 8/20/2015

COMMENTS:



KECO PUMP AND EQUIPMENT
WWW.PUMPAHEAD.COM

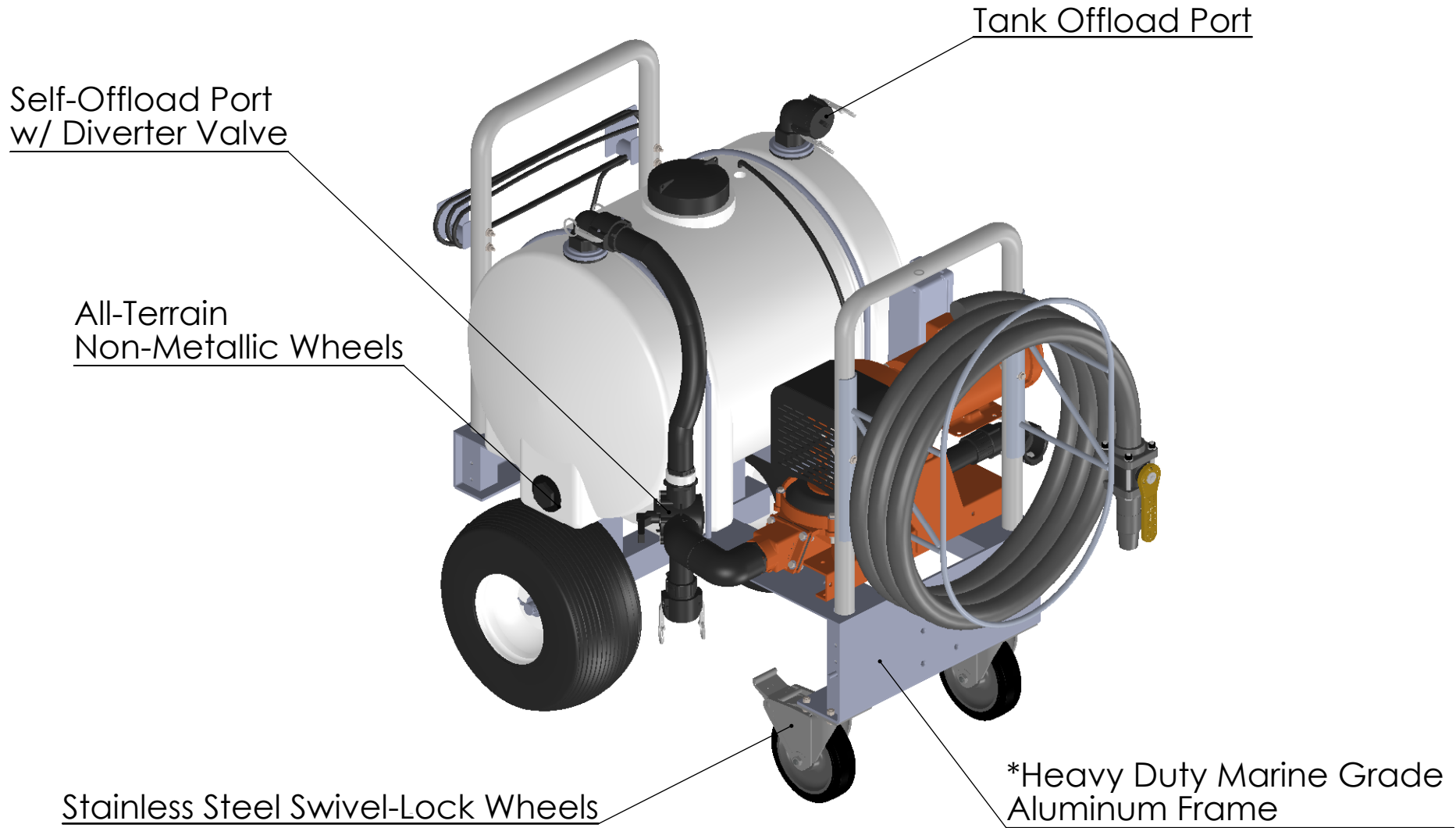
PART NUMBER - TITLE

PAH540.ELE - PORTABLE WITH ELECTRIC MOTOR

DIMENSION: INCHES / (XX) MM

SCALE: 1:12

SHEET 2 OF 7



NOTES:

*ANODIZED FINISH OPTION FOR ADDED SALT WATER PROTECTION

PROPRIETARY AND CONFIDENTIAL

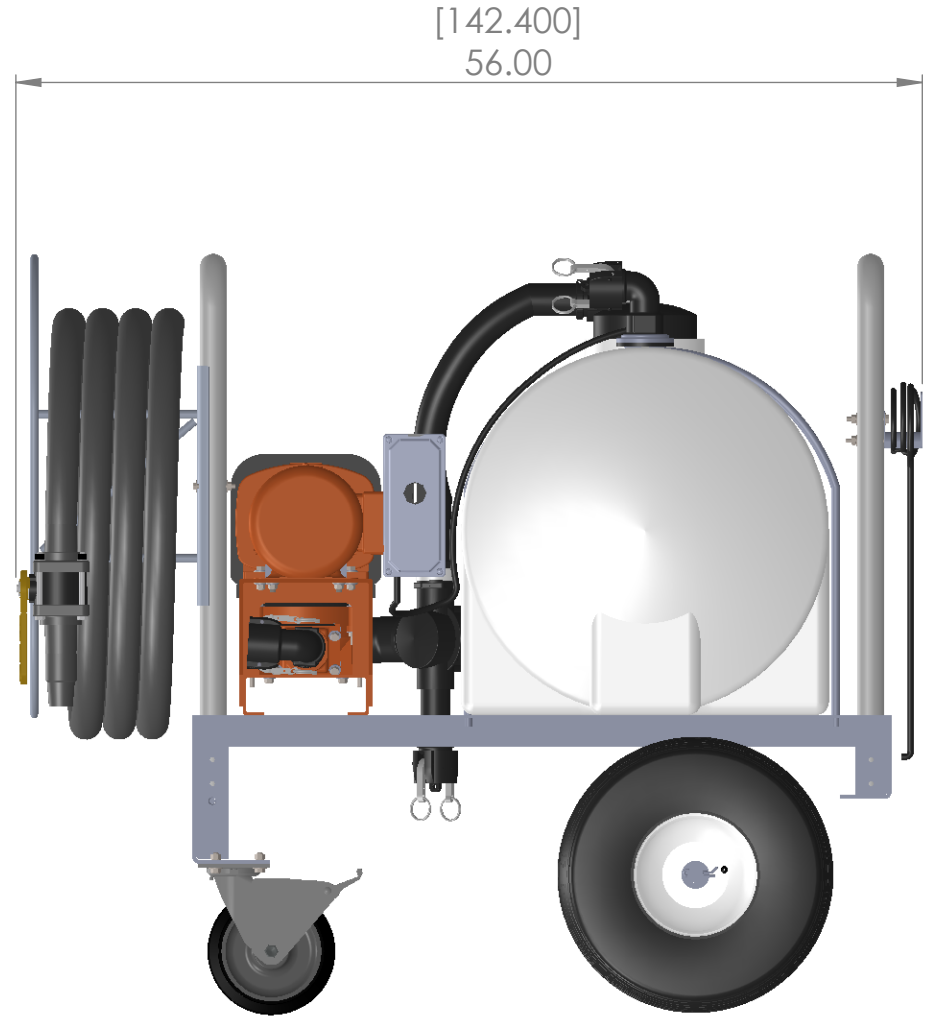
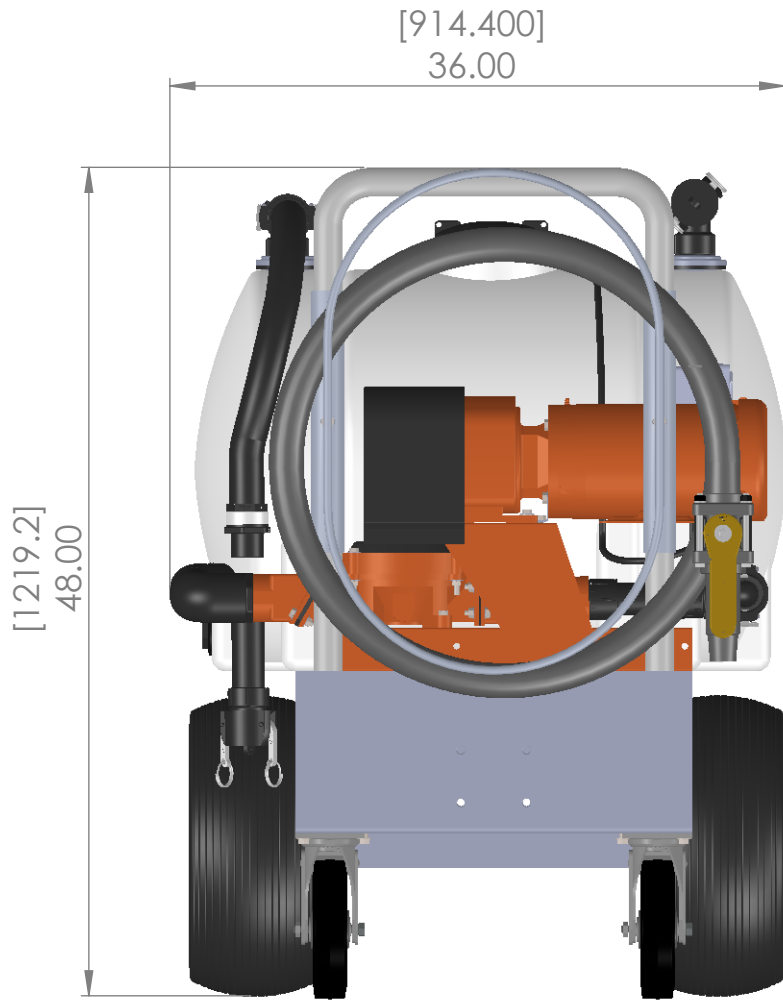
THE INFORMATION CONTAINED IN THIS DRAWING IS THE SOLE PROPERTY OF KEKO PUMP AND EQUIPMENT. ANY REPRODUCTION IN PART OR AS A WHOLE WITHOUT THE WRITTEN PERMISSION OF KEKO PUMP AND EQUIPMENT IS PROHIBITED.

UNLESS OTHERWISE SPECIFIED:

DIMENSIONS ARE IN INCHES
 TOLERANCES:
 FRACTIONAL ± 1/32
 ONE PLACE DECIMAL ± .1
 TWO PLACE DECIMAL ± .03
 THREE PLACE DECIMAL ± .020
 ANGULAR ± .5°

MATERIAL

DRAWN	<i>AWS</i>		KECO PUMP AND EQUIPMENT WWW.PUMPAHEAD.COM
	PREVIOUS	CURRENT	
REVISION #	1.0	1.0	PART NUMBER - TITLE
DATE: 8/20/2015			PAH540.ELE - PORTABLE WITH ELECTRIC MOTOR
COMMENTS:			DIMENSION: INCHES / (XX) MM
	SCALE: 1:12		SHEET 3 OF 7



NOTES:

WEIGHTS:

Model 509 (Cart w/ 35 Gallon Tank)
Weight: 235 lbs Empty/ 465 lbs Full

Model 510 (Cart w/ 55 Gallon Tank)
Weight: 240 lbs Empty/ 600 lbs Full

PROPRIETARY AND CONFIDENTIAL

THE INFORMATION CONTAINED IN THIS DRAWING IS THE SOLE PROPERTY OF KEKO PUMP AND EQUIPMENT. ANY REPRODUCTION IN PART OR AS A WHOLE WITHOUT THE WRITTEN PERMISSION OF KEKO PUMP AND EQUIPMENT IS PROHIBITED.

UNLESS OTHERWISE SPECIFIED:

DIMENSIONS ARE IN INCHES
TOLERANCES:
FRACTIONAL $\pm 1/32$
ONE PLACE DECIMAL $\pm .1$
TWO PLACE DECIMAL $\pm .03$
THREE PLACE DECIMAL $\pm .020$
ANGULAR $\pm .5^\circ$

MATERIAL

DRAWN	<i>AWS</i>	
REVISION #	PREVIOUS	CURRENT
	1.0	1.0

DATE: 8/20/2015

COMMENTS:

KEKO KEKO PUMP AND EQUIPMENT
WWW.PUMPAHEAD.COM

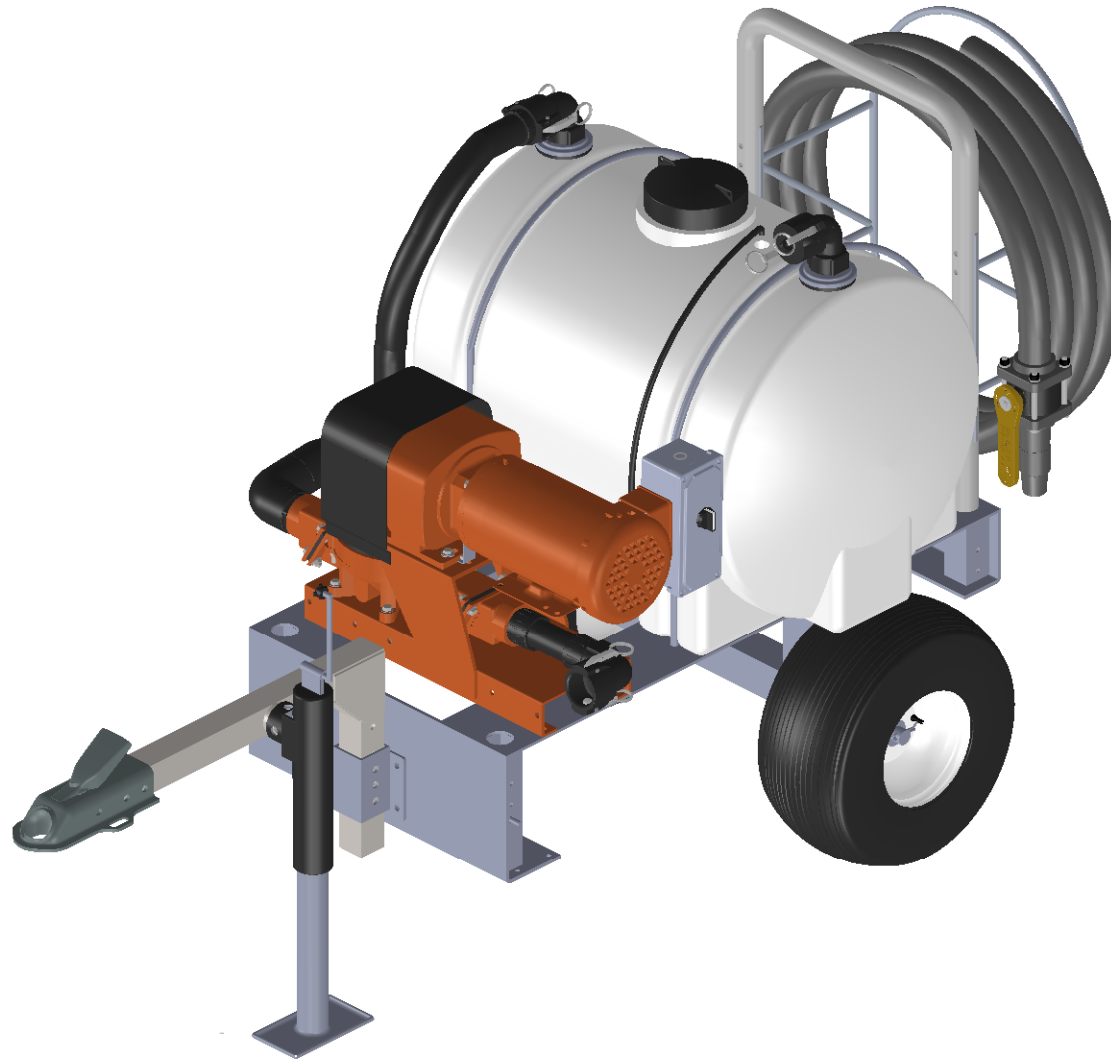
PART NUMBER - TITLE

PAH540.ELE - PORTABLE WITH ELECTRIC MOTOR

DIMENSION: INCHES / (XX) MM

SCALE: 1:12 SHEET 4 OF 7

Trailer Hitch Option



NOTES:

PROPRIETARY AND CONFIDENTIAL

THE INFORMATION CONTAINED IN THIS DRAWING IS THE SOLE PROPERTY OF KECO PUMP AND EQUIPMENT. ANY REPRODUCTION IN PART OR AS A WHOLE WITHOUT THE WRITTEN PERMISSION OF KECO PUMP AND EQUIPMENT IS PROHIBITED.

UNLESS OTHERWISE SPECIFIED:

DIMENSIONS ARE IN INCHES
 TOLERANCES:
 FRACTIONAL ± 1/32
 ONE PLACE DECIMAL ± .1
 TWO PLACE DECIMAL ± .03
 THREE PLACE DECIMAL ± .020
 ANGULAR ± .5°

MATERIAL

DRAWN	<i>AWB</i>	
REVISION #	PREVIOUS	CURRENT
	1.0	1.0

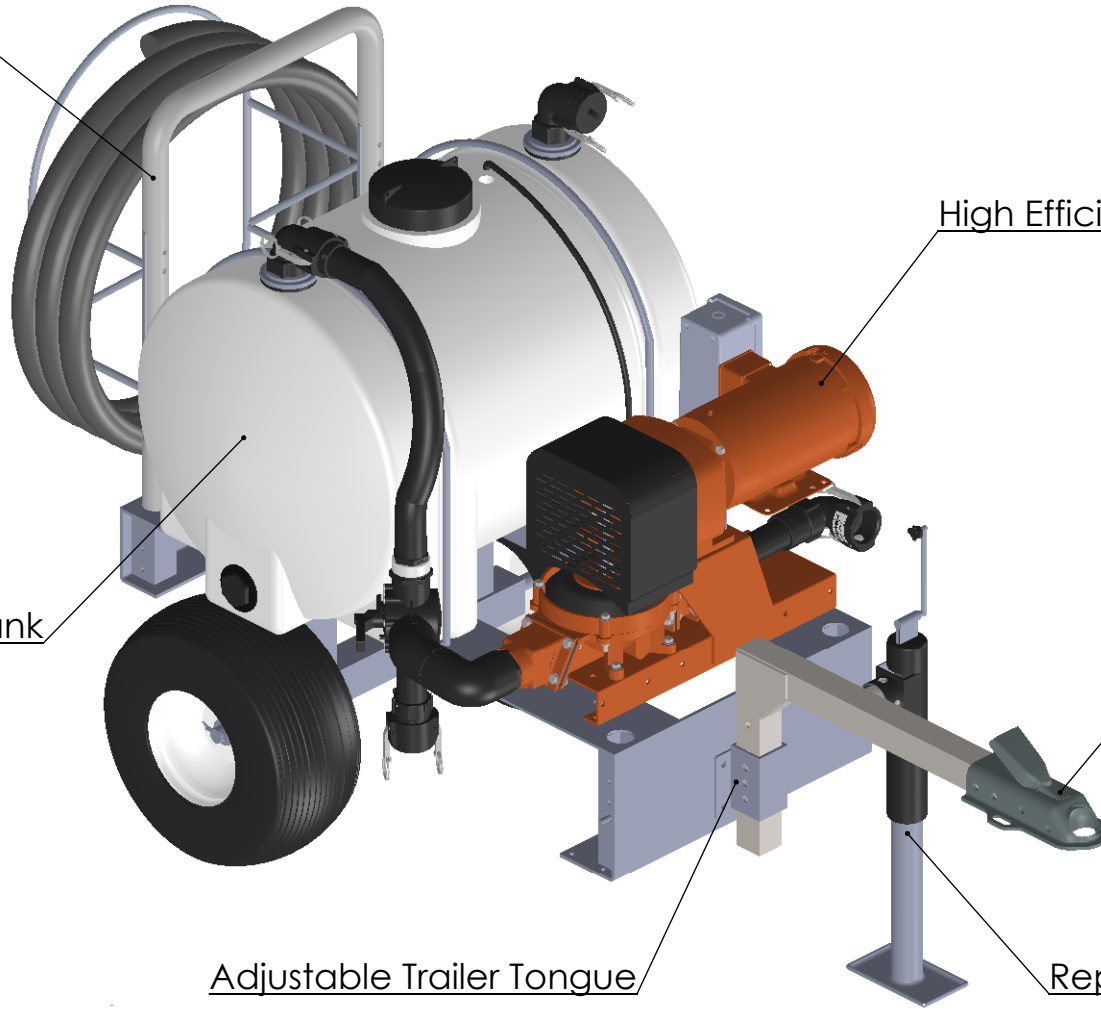
DATE: 8/20/2015

COMMENTS:

KECO PUMP AND EQUIPMENT	
WWW.PUMPAHEAD.COM	
PART NUMBER - TITLE	
PAH510_509E - 510E (55 Gallon) Portable with Trailer Hitch	
DIMENSION: INCHES / (XX) MM	
SCALE: 1:12	SHEET 5 OF 7

Suction Hose Storage
(Up to 100')

*Polyethylene Storage Tank



High Efficiency Electric Motor

2" Trailer Coupler

Adjustable Trailer Tongue

Replacable Jack Stand

NOTES:

*STORAGE TANKS AVAILABLE IN
35 GALLON (133 Liters)
55 GALLON (208 Liters)

PROPRIETARY AND CONFIDENTIAL

THE INFORMATION CONTAINED IN THIS DRAWING IS THE SOLE PROPERTY OF KECCO PUMP AND EQUIPMENT. ANY REPRODUCTION IN PART OR AS A WHOLE WITHOUT THE WRITTEN PERMISSION OF KECCO PUMP AND EQUIPMENT IS PROHIBITED.

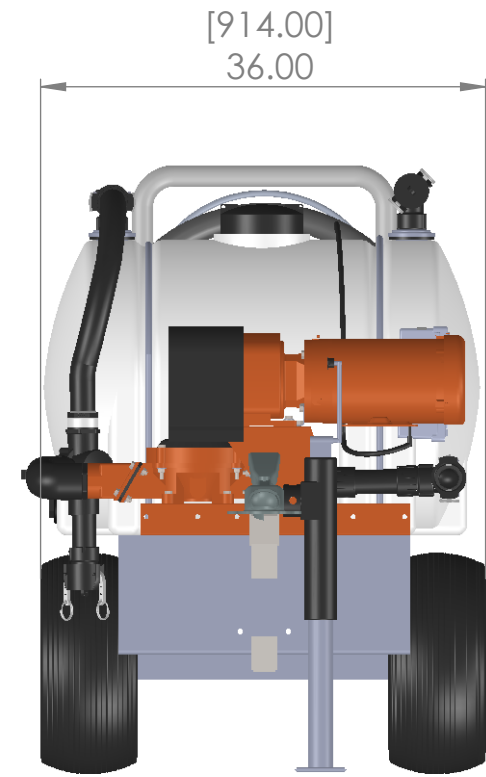
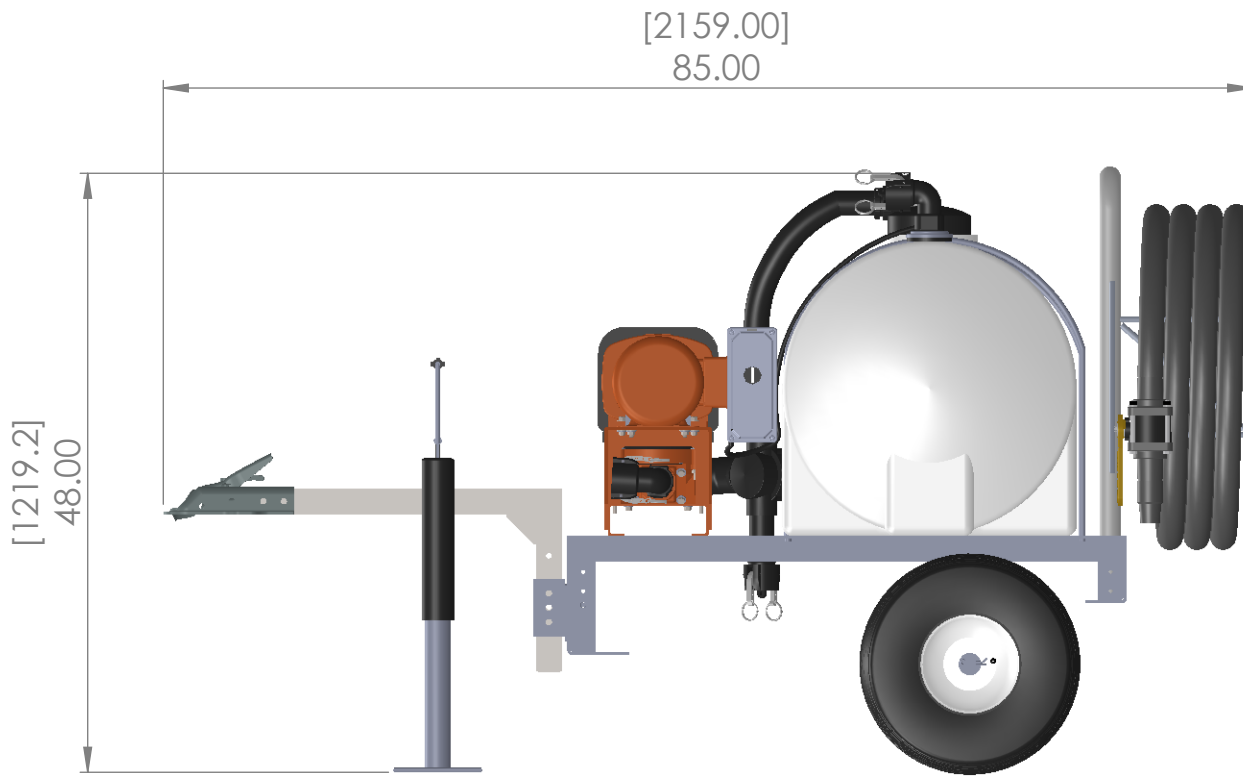
UNLESS OTHERWISE SPECIFIED:

DIMENSIONS ARE IN INCHES
TOLERANCES:
FRACTIONAL $\pm 1/32$
ONE PLACE DECIMAL $\pm .1$
TWO PLACE DECIMAL $\pm .03$
THREE PLACE DECIMAL $\pm .020$
ANGULAR $\pm .5^\circ$

MATERIAL

DRAWN	AUS	
REVISION #	PREVIOUS	CURRENT
	1.0	1.0
DATE: 8/20/2015		
COMMENTS:		

KECCO PUMP AND EQUIPMENT	
WWW.PUMPAHEAD.COM	
PART NUMBER - TITLE	
PAH510_509E - 510E (55 Gallon) Portable with Trailer Hitch	
DIMENSION: INCHES / (XX) MM	
SCALE: 1:12	SHEET 6 OF 7



NOTES:

PROPRIETARY AND CONFIDENTIAL
 THE INFORMATION CONTAINED IN THIS DRAWING IS THE SOLE PROPERTY OF KEKO PUMP AND EQUIPMENT. ANY REPRODUCTION IN PART OR AS A WHOLE WITHOUT THE WRITTEN PERMISSION OF KEKO PUMP AND EQUIPMENT IS PROHIBITED.

UNLESS OTHERWISE SPECIFIED:
 DIMENSIONS ARE IN INCHES
 TOLERANCES:
 FRACTIONAL ± 1/32
 ONE PLACE DECIMAL ± .1
 TWO PLACE DECIMAL ± .03
 THREE PLACE DECIMAL ± .020
 ANGULAR ± .5°

MATERIAL

DRAWN	<i>AWB</i>	
REVISION #	PREVIOUS	CURRENT
	1.0	1.0

DATE: 8/20/2015

COMMENTS:

KEKO KEKO PUMP AND EQUIPMENT
 WWW.PUMPAHEAD.COM

PART NUMBER - TITLE

PAH510_509E - 510E (55 Gallon) Portable with Trailer Hitch

DIMENSION: INCHES / (XX) MM

SCALE: 1:15

SHEET 7 OF 7





Read the instructions carefully before using this product. Do not use on children or pets. For full details on safety and use, please refer to the user manual. © 2013 KECO. All rights reserved.

KECO
EQUIPMENT

www.keco.com
1-800-850-8500