

**KECO**<sup>®</sup>  
pump and equipment



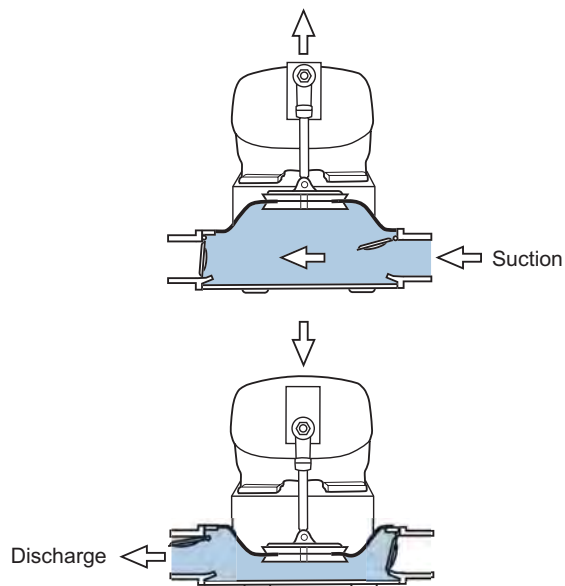
## DIAPHRAGM PUMPS

## CHOOSE THE PUMP THAT FITS YOUR NEEDS!



### HOW IT WORKS

Diaphragm Pumps are one of the oldest pumping techniques employed by man. Mechanically similar to a plunger, the diaphragm pump bowl is filled when the diaphragm rises, and cleared when the diaphragm compresses. The reciprocating action causes the suction/discharge valve to fully open and close. Oversized inlet/outlets allow **Keco's** diaphragm pumps to pass 1.5" solids. This simple and effective pump has proven to be a reliable and durable workhorse throughout the world's busiest marinas.

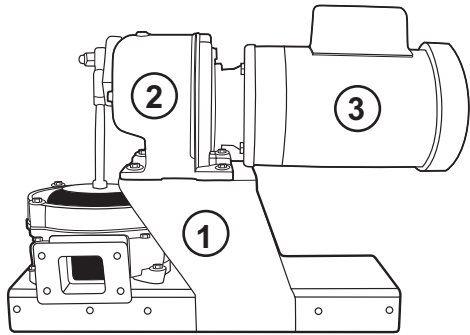


### COMPARE IT TO OTHERS



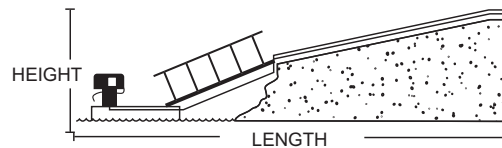
**Keco's** self-priming diaphragm pumps are based on a time-tested design that has been on the market for over 30 years. **Keco** diaphragm pumps are assembled using only 300-grade stainless steel hardware. All exposed surfaces are triple coated using zinc, epoxy and urethane to withstand the most difficult marine environment. Nitrile encapsulated full-opening swing check valves gives the **Keco** diaphragm pump its impressive solids handling ability. The Nitrile valves are completely protected from corrosion and ensure a consistent and reliable seal year for many years.

## DIAPHRAGM PUMPS



1. FRAME 2. GEAR BOX 3. MOTOR

**Keco** developed a pump that would stand up to a wide variety of liquids, and be able to handle the most severe environmental conditions imaginable. Although initially targeting marine applications, **Keco's** diaphragm pump has proven itself effective as a versatile multi-purpose pump. **Keco's** diaphragm pump has the ability to pump everything from mud to concrete slurry. The self-priming diaphragm pump is able to run dry without damage. **Keco** offers a variety of pump options to meet your needs. Please allow our staff to assist you in determining the most effective options, which are right for you.



### MARINE



- bilge pumpout
- holding tank pumpout
- water evacuation
- oil spill clean-up
- utility pump

### PERSONAL



- pool/pond pump
- well pump
- flood evacuation
- septic tank pumpout
- private dock

### INDUSTRIAL



- liquid transfer
- abrasive pumping
- sewage collection
- multi-Purpose utility pump
- manhole evacuation

PIPE	LENGTH					
	.5 HP PUMP MOTOR OPT.			.75 HP PUMP MOTOR OPT.		
	2"	2.5"	3"	2"	2.5"	3"
1	237	603	1900	365	967	2900
2	225	600	1800	350	934	2800
3	215	566	1700	336	900	2700
4	200	533	1600	325	867	2600
5	187	500	1400	313	834	2500
6	175	466	1400	300	800	2400
7	167	437	1300	258	767	2300
8	150	400	1260	275	734	2200
9	137	366	1100	263	700	2100
10	125	332	1000	250	667	2000
11	112	300	900	238	634	1900
12	110	266	800	226	600	1800
13	87	233	700	214	567	1700
14	75	200	600	202	539	1600
15	67	166	500	190	500	1500
16	50	133	400	178	467	1400
17	37	100	300	166	434	1300
18	25	66	200	154	400	1200
19	12	33	100	142	367	1100
20	<b>DO NOT OPERATE .5 HP PUMP IN THIS RANGE</b>			130	334	1000
21				118	300	900
22				106	267	800
23				94	234	700
24				82	200	600
25				70	167	500
26				58	134	400
27				46	100	300
28				34	67	200
29				22	34	100
30	*	*	*			

HEIGHT



**Specifications** **Model 50 & 55 Diaphragm Pump**

**Design Considerations**

- The pump shall be designed for viscous material handling, sanitary waste, slurries and solids up to 1½” spherical diameter.
- The 8” diaphragm to be of Neoprene\*\* reinforced with 2-ply nylon. Two cast aluminum plates support the diaphragm.
- The motor shall drive an eccentric with a stainless steel stud. A stainless steel drive rod plunges the diaphragm using a lubricated spherical rod end bearing.
- Weighted encapsulated inlet and discharge valves are replaceable.
- Valves seat against a raised bezel on a replaceable encapsulated seating plate. Valves are held in place using ½ “ stainless steel hardware.
- Pump capable of 18” Hg / 13 P.S.I. with a flow rate to 25 GPM
- Model 55 bowl assembly and flow runs inline with frame. Model 50 bowl assembly and flow runs perpendicular to the frame.
- Explosion proof, Totally Enclosed Fan Cooled (TEFC) 110-220 Single Phase AC 60 Hz motors, 3 ½ HP Briggs and Stratton engine\* or 12-24V DC motors standard.
- Standard ½ or ¾ HP motors supplied
- 50 Hz Motors and Honda engines are available
- Suction and Discharge fittings available with 1 ½” or 2” Female Threaded National Pipe Thread
- Quick connect coupler fitting on suction port.
- Suction & Discharge Hoses available
- Optional Fiberglass enclosure\*
- Optional Handles
- Optional electrical controls

**Capacity & Dimensions**

MODEL	DRIVE	L S / 90°	W S / 90°	H	LBS
50	TEFC	24 ½	19 /21	16	93
50	EXP	27	19/21	16	107
50	GAS*	23	19/21	21	92
55	TEFC	30”	8”	16	93
55	EXP	32 ½	8”	16	107
55	GAS*	28 ½	13”	21	92

S= Straight through fittings  
 90°= Ninety degree elbow on discharge  
 Optional Handles (pair) = 11 lbs.

**Materials**

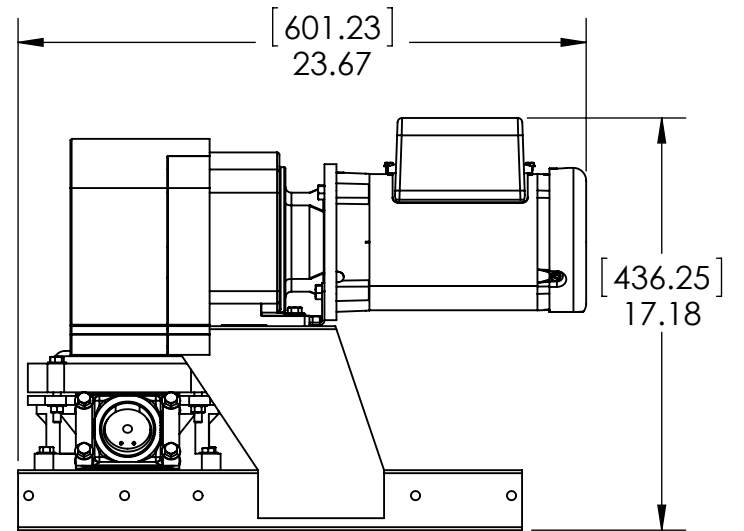
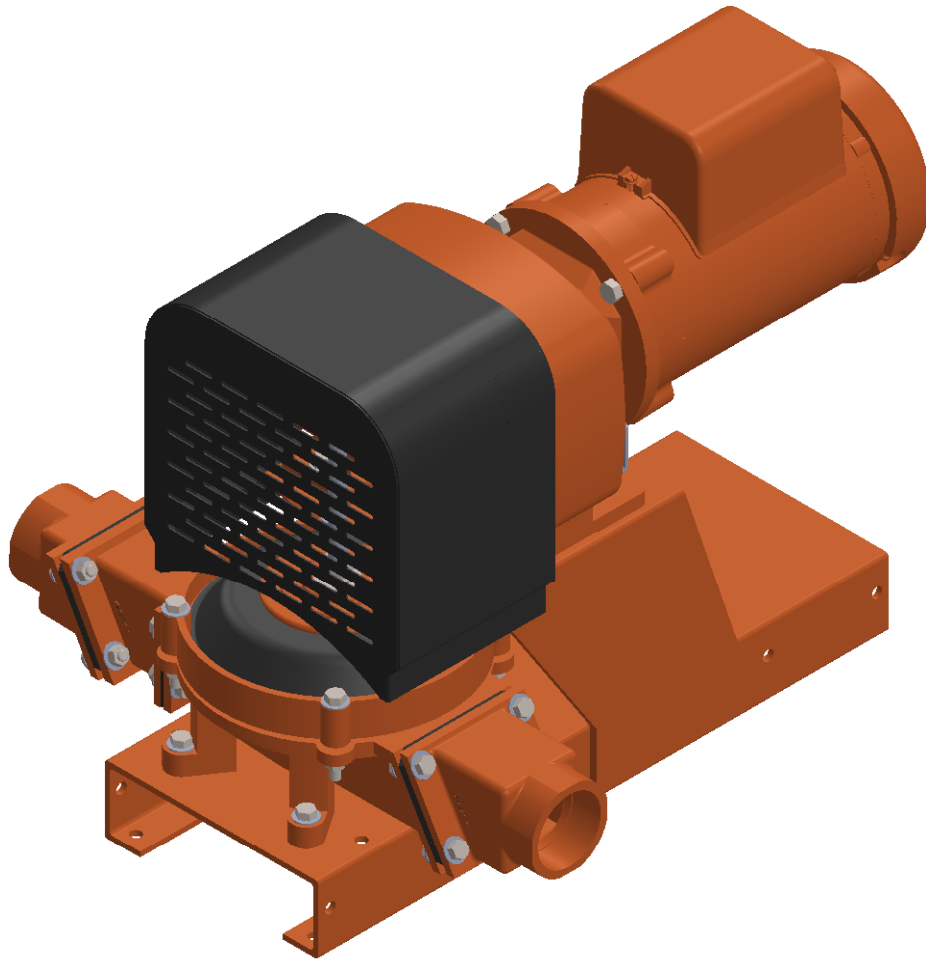
The pump shall include but not be limited to the following components

- Pump body to be cast aluminum (marine grade) including pump bowl, retaining ring, elbows, flanges and diaphragm reinforcing plates.
- Aluminum components shall be sandblasted (SP10), zinc, epoxy and urethane coated.
- Brass castings are optional.
- Steel structural support frame sandblasted (SP10), zinc, epoxy and urethane coated
- Optional enclosure is made of heavy-duty fiberglass with ultra violet (UV) stabilizers. Enclosure covers pump and structural support frame.

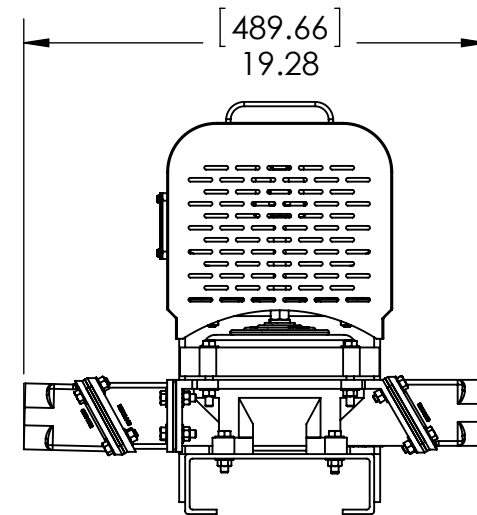
\* Fiberglass Enclosure not available with gasoline engine

\*\* Nitrile or Hypalon Diaphragm available.

The compatibility and/or application information is presented as a guide only. Other system factors may effect this information. Proper installation and selection of equipment, components, operation and maintenance are not the responsibility of KECO.



RIGHT



FRONT

NOTES:  
 3/4 HP TEFC MOTOR DEPICTED  
 ALTERNATE MOTORS AVAILABLE  
 ORIENTATION 1 SHOWN

**PROPRIETARY AND CONFIDENTIAL**

THE INFORMATION CONTAINED  
 IN THIS DRAWING IS THE SOLE  
 PROPERTY OF KEKO PUMP AND  
 EQUIPMENT. ANY  
 REPRODUCTION IN PART OR AS  
 A WHOLE WITHOUT THE  
 WRITTEN PERMISSION OF  
 KEKO PUMP AND EQUIPMENT IS  
 PROHIBITED.

UNLESS OTHERWISE SPECIFIED:

DIMENSIONS ARE IN INCHES  
 TOLERANCES:  
 FRACTIONAL  $\pm 1/32$   
 ONE PLACE DECIMAL  $\pm .1$   
 TWO PLACE DECIMAL  $\pm .03$   
 THREE PLACE DECIMAL  $\pm .020$   
 ANGULAR  $\pm .5^\circ$

MATERIAL

DRAWN	AWS	
REVISION #	PREVIOUS	CURRENT
	1.0	1.0

DATE: 5/5/2015

COMMENTS:

**KEKO** KEKO PUMP AND EQUIPMENT  
 WWW.PUMPAHEAD.COM

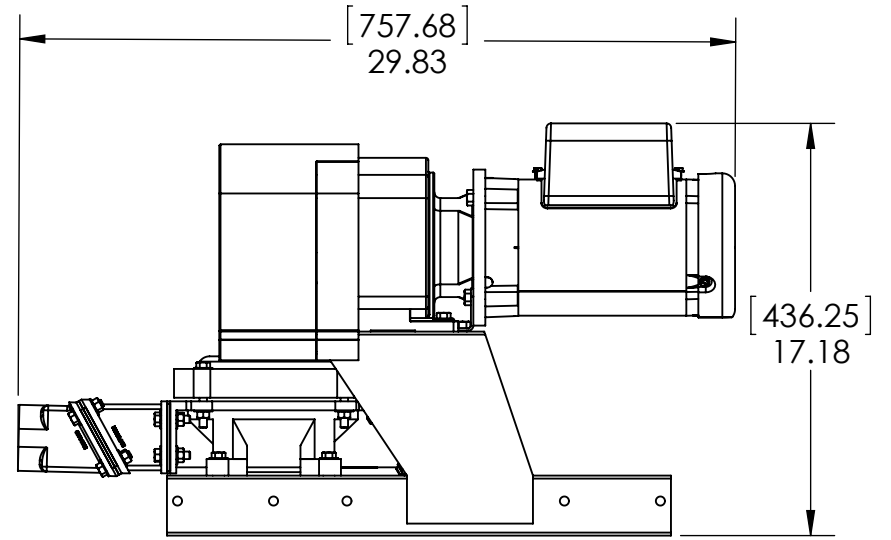
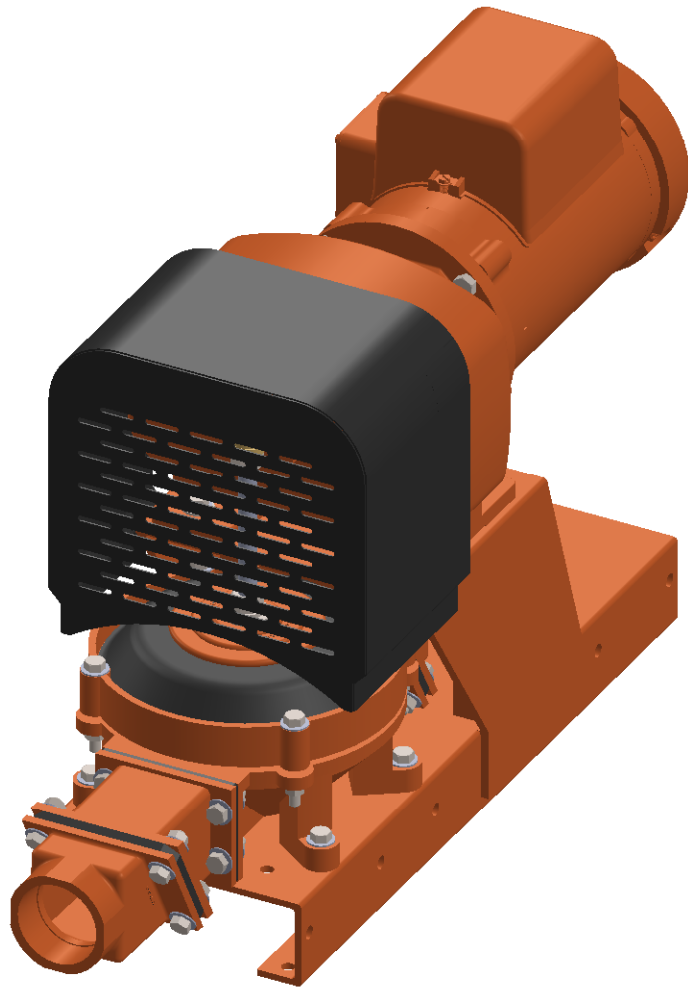
PART NUMBER - TITLE

50 E SERIES SINGLE DIAPHRAGM  
 VIEW 1

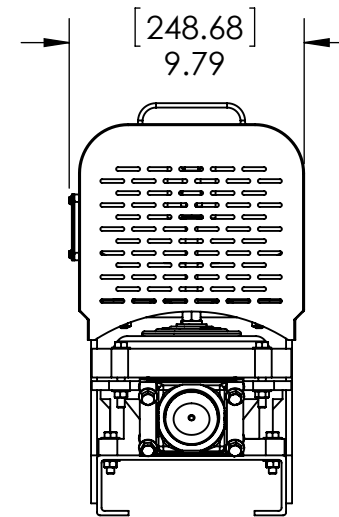
DIMENSION: INCHES / (XX) MM

SCALE: 1:5

SHEET 1 OF 6



RIGHT



FRONT

NOTES:  
 3/4 HP TEFC MOTOR DEPICTED  
 ALTERNATE MOTORS AVAILABLE  
 ORIENTATION 3 SHOWN

**PROPRIETARY AND CONFIDENTIAL**  
 THE INFORMATION CONTAINED  
 IN THIS DRAWING IS THE SOLE  
 PROPERTY OF KEKO PUMP AND  
 EQUIPMENT. ANY  
 REPRODUCTION IN PART OR AS  
 A WHOLE WITHOUT THE  
 WRITTEN PERMISSION OF  
 KEKO PUMP AND EQUIPMENT IS  
 PROHIBITED.

UNLESS OTHERWISE SPECIFIED:  
 DIMENSIONS ARE IN INCHES  
 TOLERANCES:  
 FRACTIONAL ± 1/32  
 ONE PLACE DECIMAL ±.1  
 TWO PLACE DECIMAL ±.03  
 THREE PLACE DECIMAL ±.020  
 ANGULAR ±.5°

MATERIAL

DRAWN	AWS	
REVISION #	PREVIOUS	CURRENT
	1.0	1.0

DATE: 5/5/2015

COMMENTS:

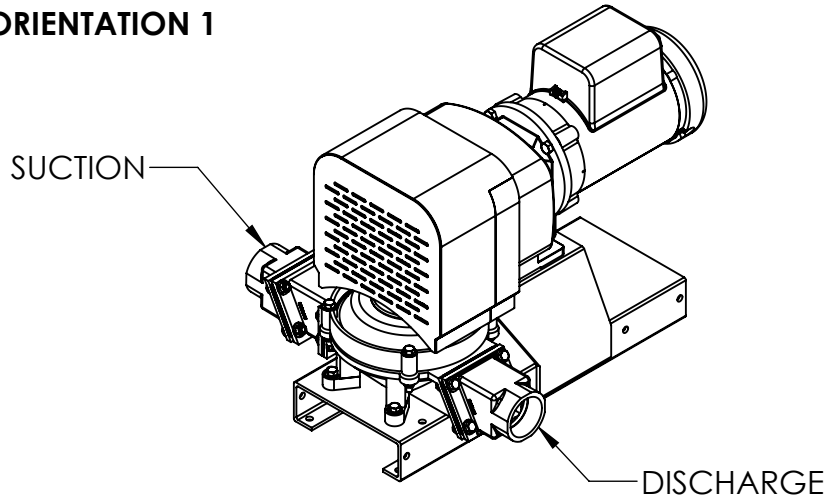
**KEKO** KEKO PUMP AND EQUIPMENT  
 WWW.PUMPAHEAD.COM

PART NUMBER - TITLE  
 50 E SERIES SINGLE DIAPHRAGM  
 VIEW 3

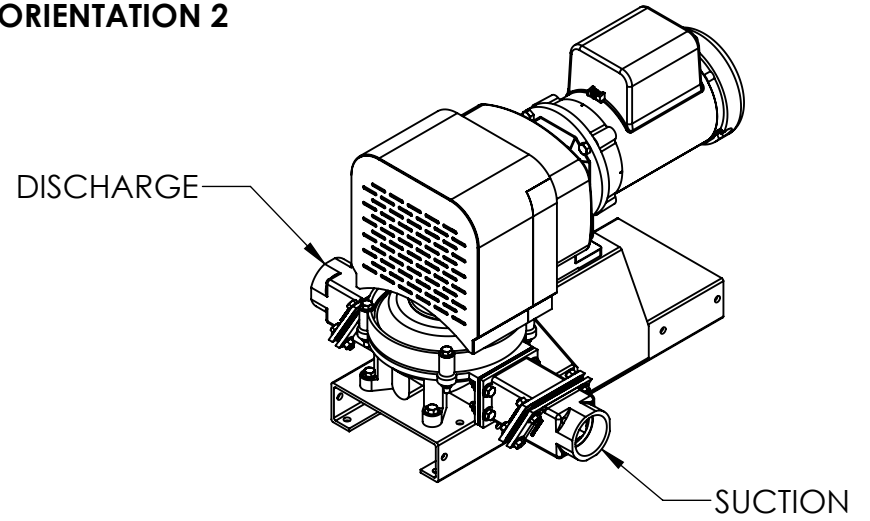
DIMENSION: INCHES / (XX) MM

SCALE: 1:5 SHEET 2 OF 6

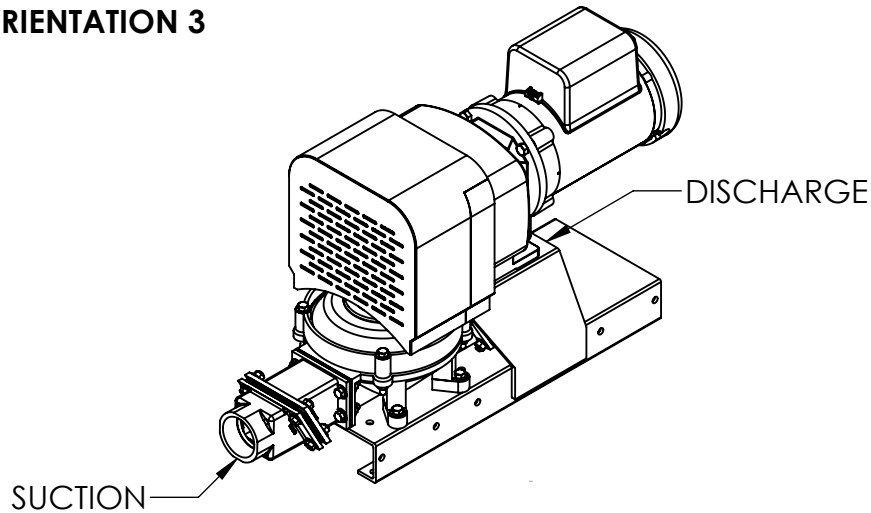
**ORIENTATION 1**



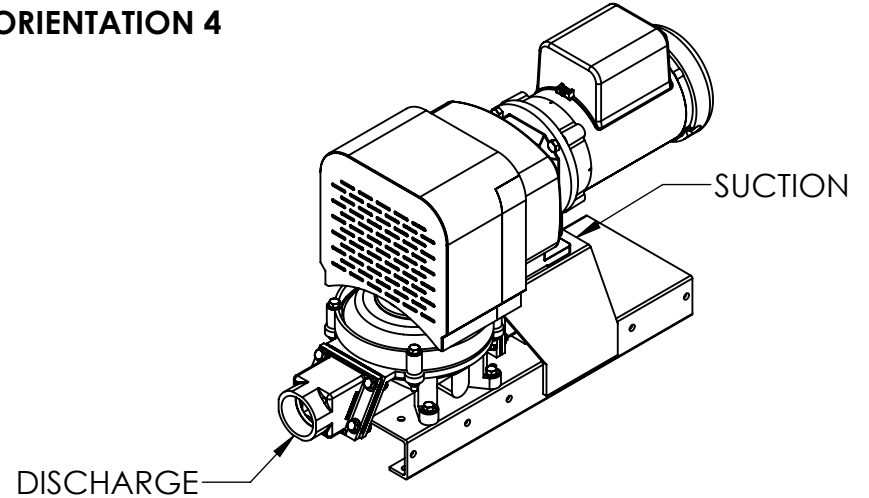
**ORIENTATION 2**



**ORIENTATION 3**



**ORIENTATION 4**



NOTES:

**PROPRIETARY AND CONFIDENTIAL**

THE INFORMATION CONTAINED IN THIS DRAWING IS THE SOLE PROPERTY OF KEKO PUMP AND EQUIPMENT. ANY REPRODUCTION IN PART OR AS A WHOLE WITHOUT THE WRITTEN PERMISSION OF KEKO PUMP AND EQUIPMENT IS PROHIBITED.

UNLESS OTHERWISE SPECIFIED:


DIMENSIONS ARE IN INCHES  
 TOLERANCES:  
 FRACTIONAL  $\pm 1/32$   
 ONE PLACE DECIMAL  $\pm .1$   
 TWO PLACE DECIMAL  $\pm .03$   
 THREE PLACE DECIMAL  $\pm .020$   
 ANGULAR  $\pm .5^\circ$

MATERIAL

DRAWN	AWS	
REVISION #	PREVIOUS	CURRENT
	1.0	1.0

DATE: 5/5/2015

COMMENTS:



KEKO PUMP AND EQUIPMENT  
 WWW.PUMPAHEAD.COM

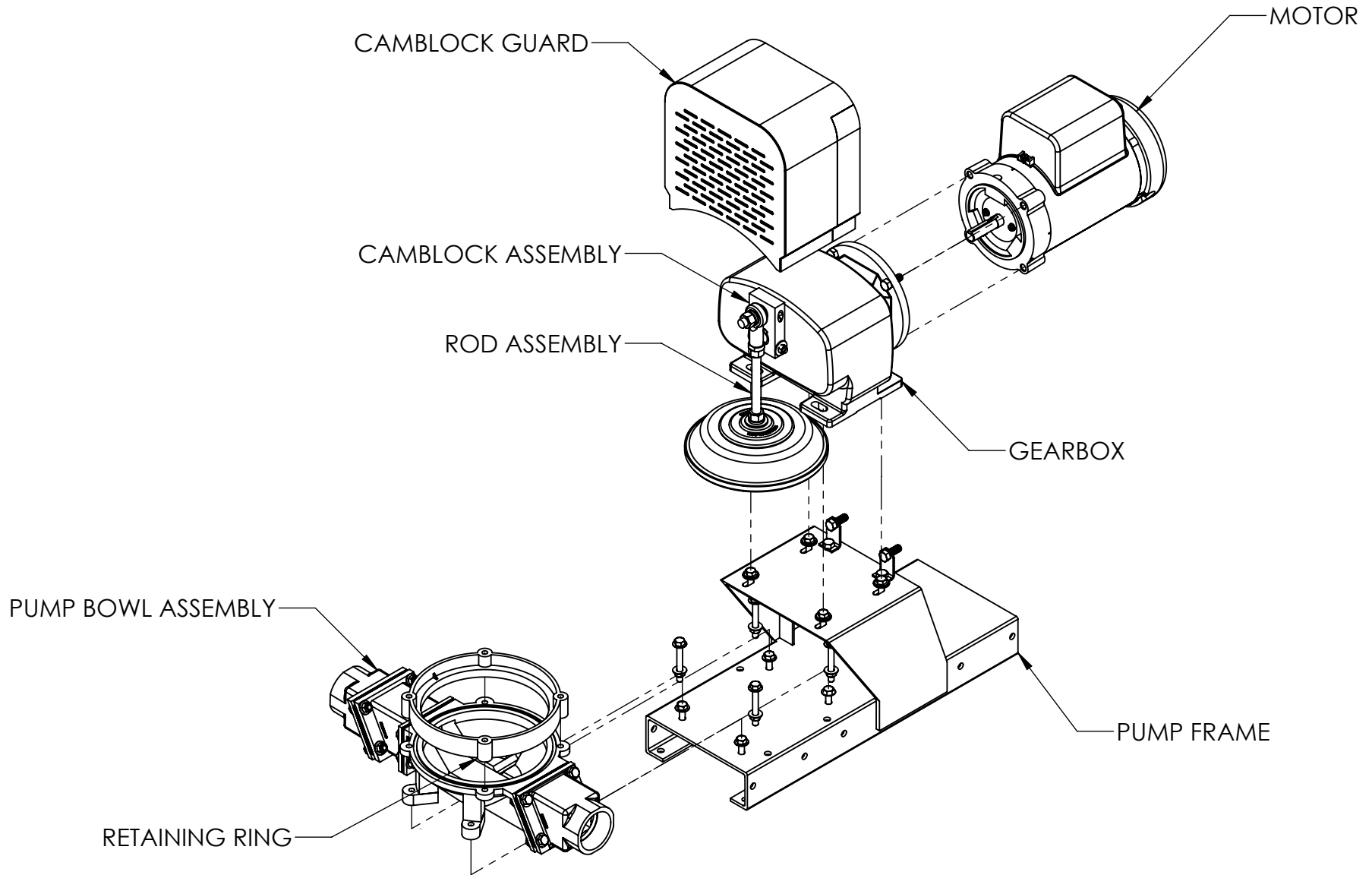
PART NUMBER - TITLE

PUMP BOWL ORIENTATIONS

DIMENSION: INCHES / (XX) MM

SCALE: 1:10

SHEET 2 OF 5



NOTES:  
 MAIN COMPONENTS EXPLODED  
 VIEW

**PROPRIETARY AND CONFIDENTIAL**  
 THE INFORMATION CONTAINED  
 IN THIS DRAWING IS THE SOLE  
 PROPERTY OF KECO PUMP AND  
 EQUIPMENT. ANY  
 REPRODUCTION IN PART OR AS  
 A WHOLE WITHOUT THE  
 WRITTEN PERMISSION OF  
 KECO PUMP AND EQUIPMENT IS  
 PROHIBITED.

UNLESS OTHERWISE SPECIFIED:  
 DIMENSIONS ARE IN INCHES  
 TOLERANCES:  
 FRACTIONAL  $\pm 1/32$   
 ONE PLACE DECIMAL  $\pm .1$   
 TWO PLACE DECIMAL  $\pm .03$   
 THREE PLACE DECIMAL  $\pm .020$   
 ANGULAR  $\pm .5^\circ$   
 MATERIAL

DRAWN	AWS	
REVISION #	PREVIOUS	CURRENT
	1.0	1.0

DATE: 5/5/2015

COMMENTS:

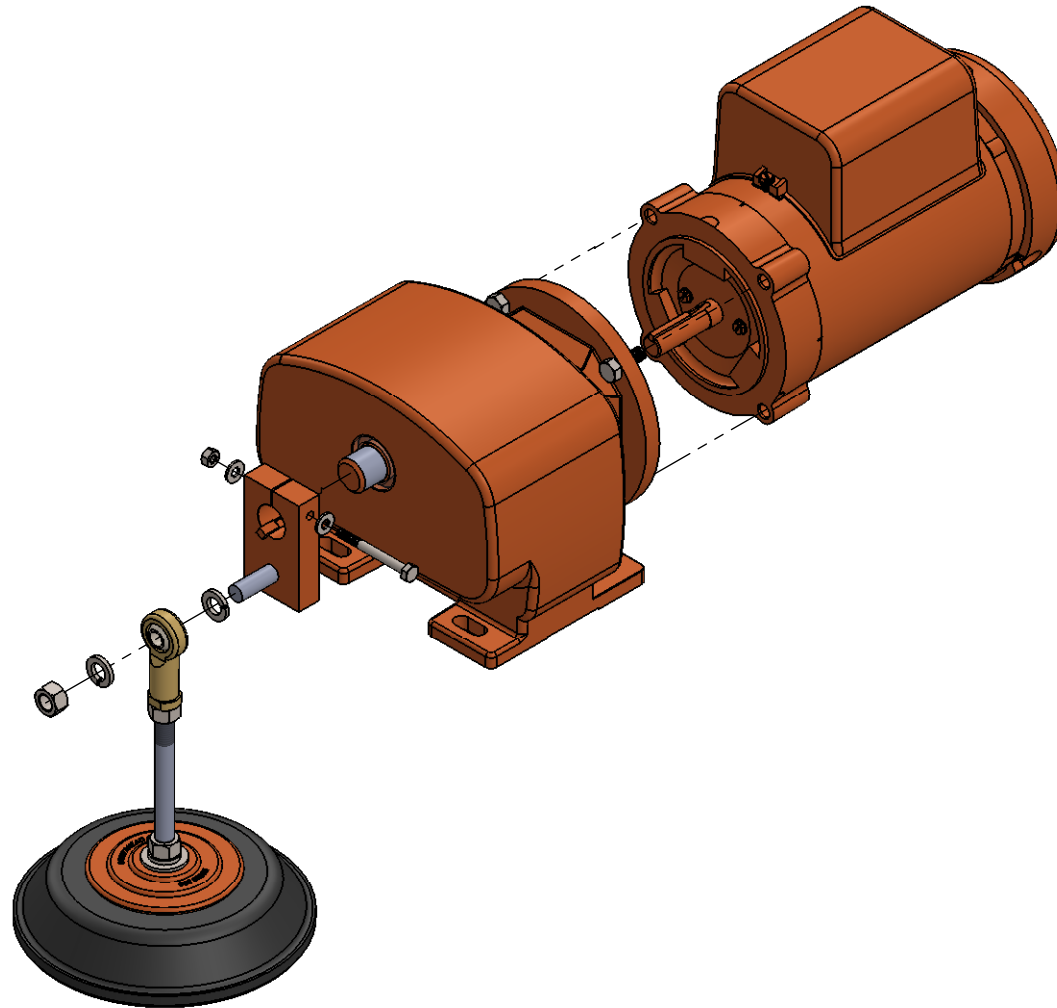
**KECO** KECO PUMP AND EQUIPMENT  
 WWW.PUMPAHEAD.COM

PART NUMBER - TITLE

50 E SERIES SINGLE DIAPHRAGM

DIMENSION: INCHES / (XX) MM

SCALE: 1:8 SHEET 3 OF 5



NOTES:  
DIAPHRAGM ROD-CAMBLOCK  
-GEARBOX-MOTOR EXPLODED  
VIEW

**PROPRIETARY AND CONFIDENTIAL**

THE INFORMATION CONTAINED  
IN THIS DRAWING IS THE SOLE  
PROPERTY OF KECO PUMP AND  
EQUIPMENT. ANY  
REPRODUCTION IN PART OR AS  
A WHOLE WITHOUT THE  
WRITTEN PERMISSION OF  
KECO PUMP AND EQUIPMENT IS  
PROHIBITED.

UNLESS OTHERWISE SPECIFIED:

DIMENSIONS ARE IN INCHES  
TOLERANCES:  
FRACTIONAL  $\pm 1/32$   
ONE PLACE DECIMAL  $\pm .1$   
TWO PLACE DECIMAL  $\pm .03$   
THREE PLACE DECIMAL  $\pm .020$   
ANGULAR  $\pm .5^\circ$

MATERIAL

DRAWN	AWS	
REVISION #	PREVIOUS	CURRENT
	1.0	1.0

DATE: 5/5/2015

COMMENTS:

**KECO** KECO PUMP AND EQUIPMENT  
WWW.PUMPAHEAD.COM

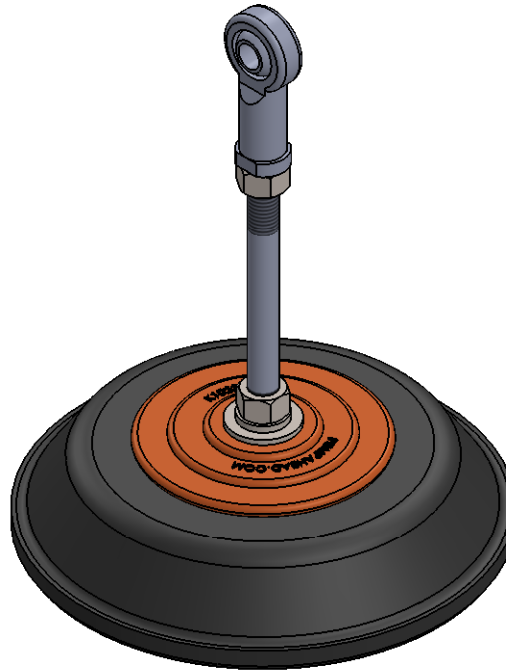
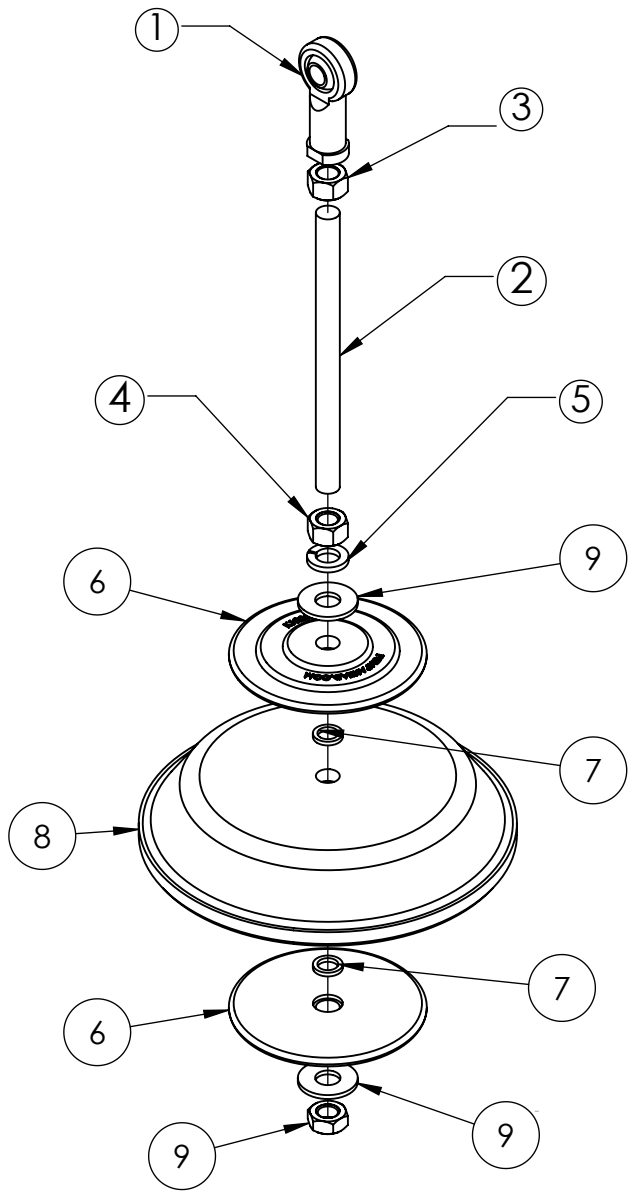
PART NUMBER - TITLE

50 E SERIES SINGLE DIAPHRAGM

DIMENSION: INCHES / (XX) MM

SCALE: 1:5 SHEET 4 OF 5





BOM Table		
ITEM NO.	PART NUMBER - DESCRIPTION	QTY.
1	B6029.500 - ROD END BEARING	1
2	B6070.500 - S/S CONNECTING ROD	1
3	B2021.500 - Hex Nut 0.5-20	1
4	B2013.500 - Hex Nut 0.5-13	1
5	B3028.500 - Lock Washer	1
6	K1023.000 - ALUMINUM REINFORCING PLATE	2
7	V1040.003 - O RING	2
8	V0022.XXX - DIAPHRAM*	1
9	B2022.500 - HEX NUT 0.5-20	1

NOTES:

**Available Diaphragms\***

- V0022.000 - Neoprene
- V0022.HYP - Hypalon
- V0022.NIT - Nitrile (Buna-N)

**PROPRIETARY AND CONFIDENTIAL**

THE INFORMATION CONTAINED IN THIS DRAWING IS THE SOLE PROPERTY OF KEKO PUMP AND EQUIPMENT. ANY REPRODUCTION IN PART OR AS A WHOLE WITHOUT THE WRITTEN PERMISSION OF KEKO PUMP AND EQUIPMENT IS PROHIBITED.

UNLESS OTHERWISE SPECIFIED:

DIMENSIONS ARE IN INCHES  
 TOLERANCES:  
 FRACTIONAL  $\pm 1/32$   
 ONE PLACE DECIMAL  $\pm .1$   
 TWO PLACE DECIMAL  $\pm .03$   
 THREE PLACE DECIMAL  $\pm .020$   
 ANGULAR  $\pm .5^\circ$

MATERIAL

DRAWN	AWS	
	PREVIOUS	CURRENT
REVISION #	1.0	1.0

DATE: 5/5/2015

COMMENTS:

**KEKO** KEKO PUMP AND EQUIPMENT  
 WWW.PUMPAHEAD.COM

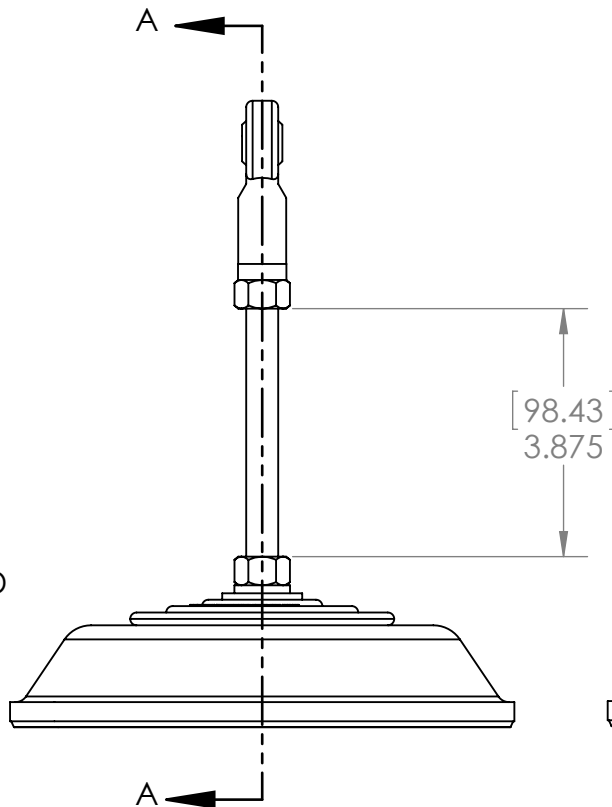
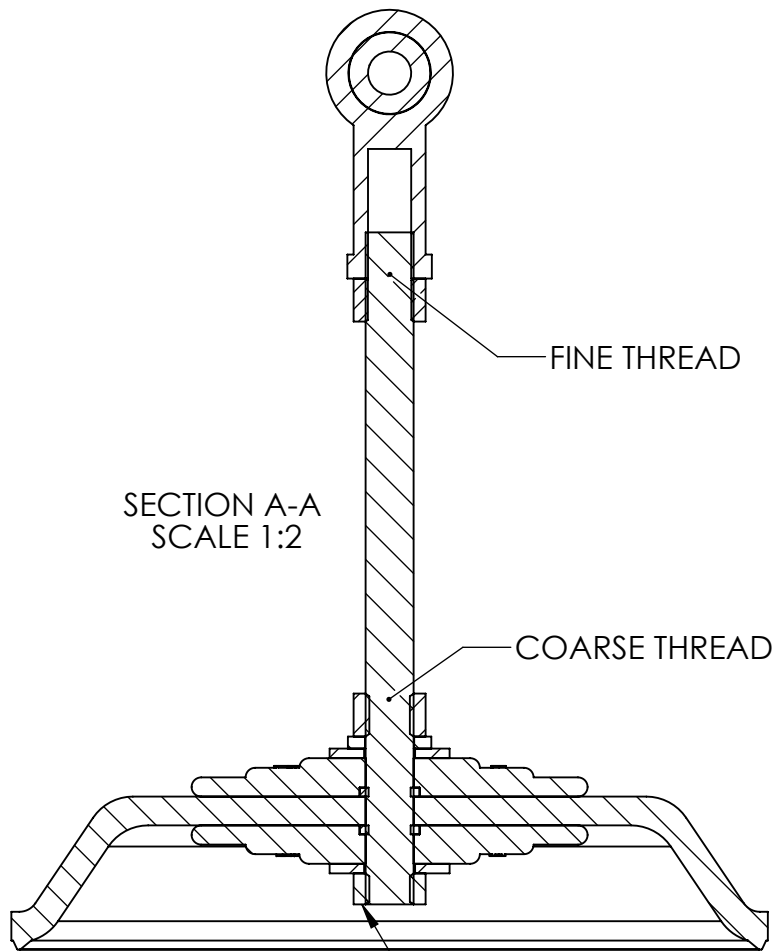
PART NUMBER - TITLE

DIAPHRAGM ROD ASSEMBLY  
 EXPLODED VIEW

DIMENSION: INCHES / (XX) MM

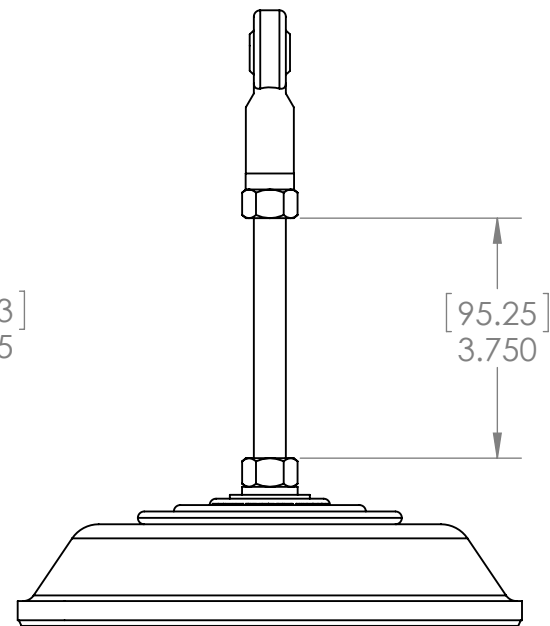
SCALE: 1:4

SHEET 1 OF 2



**SINGLE DIAPHRAGM PUMP**

\* Excludes "Pumpmate" 90 Series.



**DOUBLE DIAPHRAGM PUMP**

**B2022.500 (Half Nut w/ Nylon Insert) must be flush with bottom of connecting rod.**

NOTES:

**CRITICAL DIMENSION**  
SINGLE DIAPHRAGM PUMP 3.875"  
DOUBLE DIAPHRAGM PUMP 3.75"

**PROPRIETARY AND CONFIDENTIAL**

THE INFORMATION CONTAINED IN THIS DRAWING IS THE SOLE PROPERTY OF KECO PUMP AND EQUIPMENT. ANY REPRODUCTION IN PART OR AS A WHOLE WITHOUT THE WRITTEN PERMISSION OF KECO PUMP AND EQUIPMENT IS PROHIBITED.

UNLESS OTHERWISE SPECIFIED:

DIMENSIONS ARE IN INCHES  
TOLERANCES:  
FRACTIONAL  $\pm 1/32$   
ONE PLACE DECIMAL  $\pm .1$   
TWO PLACE DECIMAL  $\pm .03$   
THREE PLACE DECIMAL  $\pm .020$   
ANGULAR  $\pm .5^\circ$

MATERIAL

DRAWN	AWS	
REVISION #	PREVIOUS	CURRENT
	1.0	1.0

DATE: 5/5/2015

COMMENTS:

**KECO** KECO PUMP AND EQUIPMENT  
WWW.PUMPAHEAD.COM

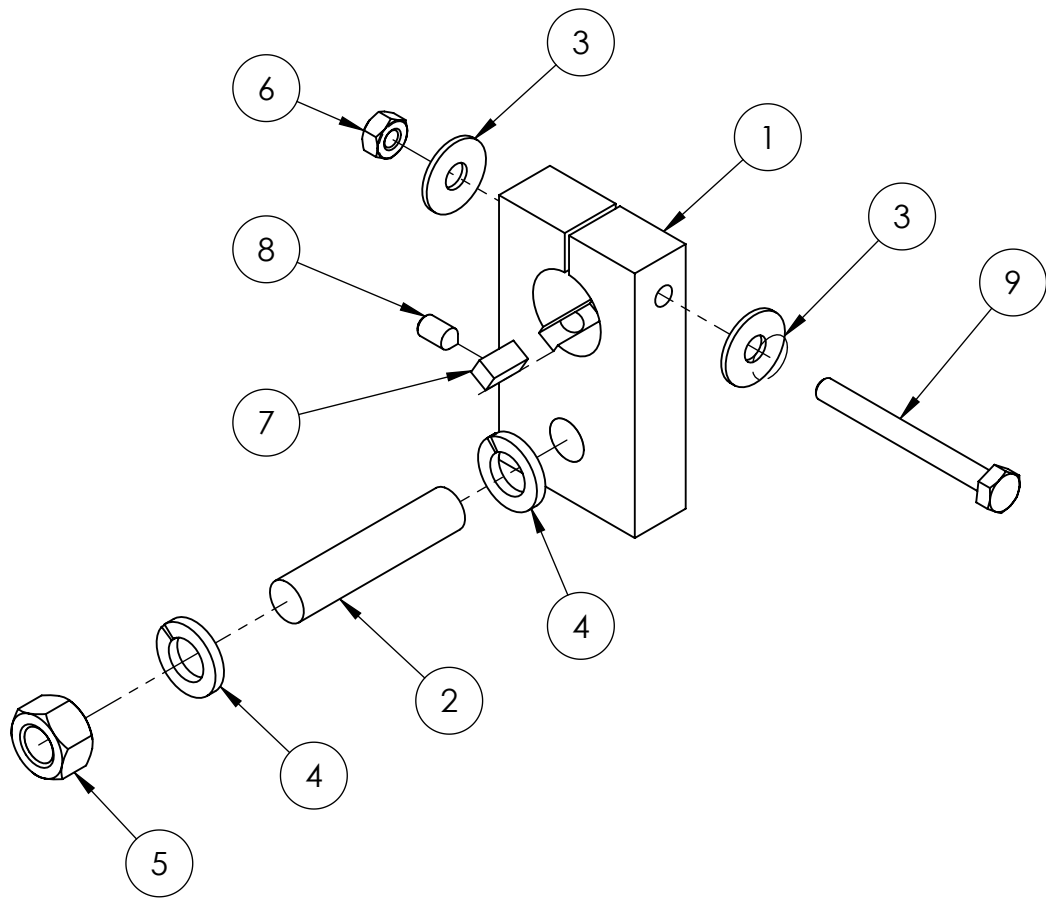
PART NUMBER - TITLE

DIAPHRAGM ROD ASSEMBLY  
CRITICAL DIMENSIONS

DIMENSION: INCHES / (XX) MM

SCALE: A

SHEET 2 OF 2



ITEM NO.	PART NUMBER - DESCRIPTION	QTY.
1	D3031.000 - CAMBLOCK	1
2	B6025.500 - STUD FOR CAM BLOCK	1
3	B3014.025 - FLATWASHER .25" X .625" SS	2
4	B3028.500 - LOCK WASHER .5" SS	2
5	B2020.500 - LOCKNUT W/ NYL INSERT .5-13	1
6	B2020.025 - LOCKNUT W/NYL INST .25-20	1
7	D2001.XXX - CAM BLOCK KEY	1
8	B4003.250 - SET SCREW SHARP TIP .25 X 20 X .5	1
9	B1025.250 - HBOLT 0.2500-20x2.5x0.75-N	1

NOTES:  
**CAMBLOCK ASSEMBLY**  
**SINGLE DIAPHRAGM PUMPS**  
 May Not Fit Legacy Gearbox

**PROPRIETARY AND CONFIDENTIAL**  
 THE INFORMATION CONTAINED IN THIS DRAWING IS THE SOLE PROPERTY OF KEKO PUMP AND EQUIPMENT. ANY REPRODUCTION IN PART OR AS A WHOLE WITHOUT THE WRITTEN PERMISSION OF KEKO PUMP AND EQUIPMENT IS PROHIBITED.

UNLESS OTHERWISE SPECIFIED:  
 DIMENSIONS ARE IN INCHES  
 TOLERANCES:  
 FRACTIONAL  $\pm 1/32$   
 ONE PLACE DECIMAL  $\pm .1$   
 TWO PLACE DECIMAL  $\pm .03$   
 THREE PLACE DECIMAL  $\pm .020$   
 ANGULAR  $\pm .5^\circ$

MATERIAL

DRAWN	AWS	
	PREVIOUS	CURRENT
REVISION #	1.0	1.0

DATE: 5/5/2015

COMMENTS:

**KEKO** KEKO PUMP AND EQUIPMENT  
 WWW.PUMPAHEAD.COM

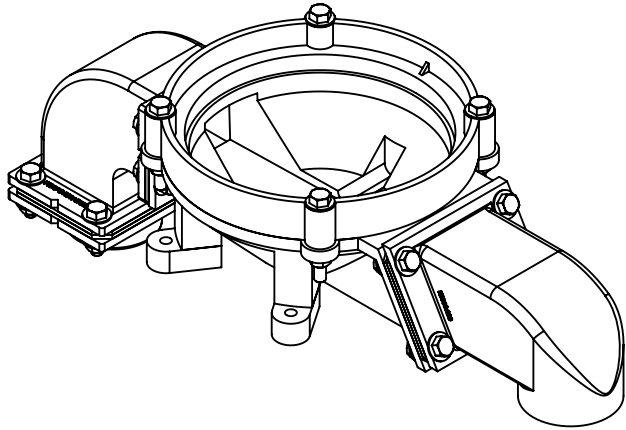
PART NUMBER - TITLE

D3031.000 CAMBLOCK ASSEMBLY

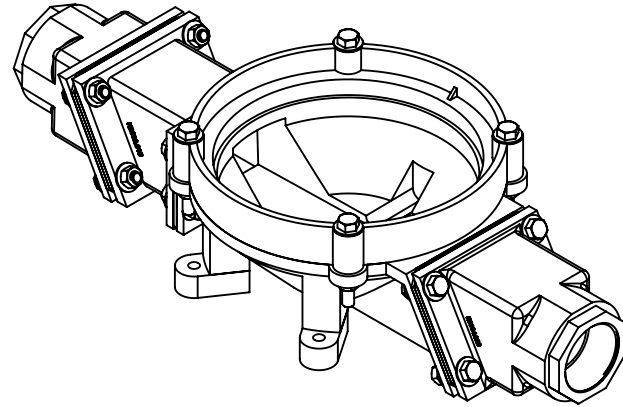
DIMENSION: INCHES / (XX) MM

SCALE: 1:2

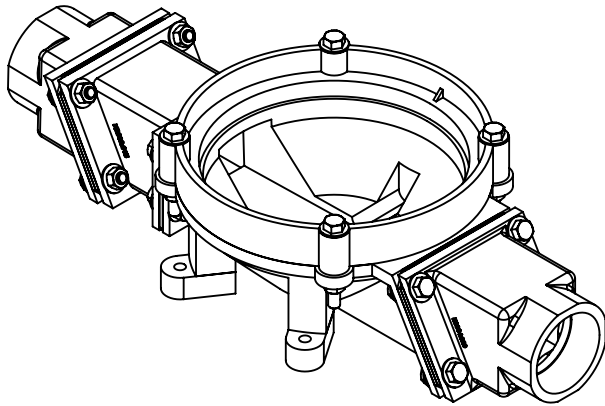
SHEET 5 OF 5



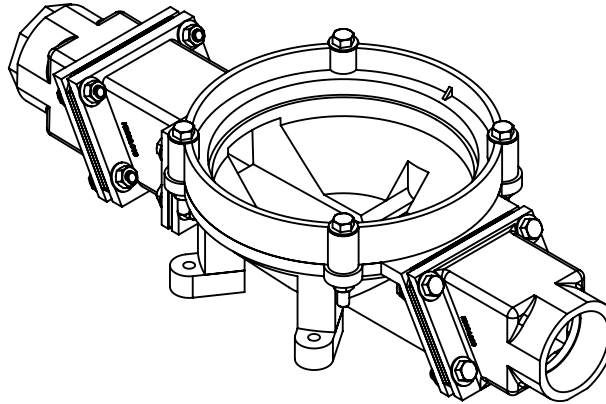
ABOWL #1  
90° X 90° (1.5" X 2.0")



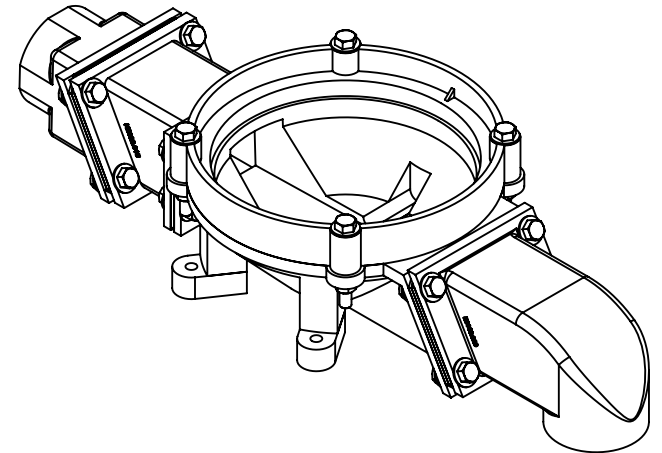
ABOWL #2  
STRAIGHT (1.5" X 1.5")



ABOWL #3  
STRAIGHT (1.5" X 2.0")



ABOWL #4  
STRAIGHT (2.0" X 2.0")



ABOWL #5  
STRAIGHT X 90° (2.0" X 2.0")

NOTES:

**PROPRIETARY AND CONFIDENTIAL**

THE INFORMATION CONTAINED IN THIS DRAWING IS THE SOLE PROPERTY OF KEKO PUMP AND EQUIPMENT. ANY REPRODUCTION IN PART OR AS A WHOLE WITHOUT THE WRITTEN PERMISSION OF KEKO PUMP AND EQUIPMENT IS PROHIBITED.

UNLESS OTHERWISE SPECIFIED:

DIMENSIONS ARE IN INCHES  
TOLERANCES:  
FRACTIONAL  $\pm 1/32$   
ONE PLACE DECIMAL  $\pm .1$   
TWO PLACE DECIMAL  $\pm .03$   
THREE PLACE DECIMAL  $\pm .020$   
ANGULAR  $\pm .5^\circ$

MATERIAL

DRAWN	AWS	
REVISION #	PREVIOUS	CURRENT
	1.0	1.0

DATE: 6/23/2015

COMMENTS:

**KEKO** KEKO PUMP AND EQUIPMENT  
WWW.PUMPAHEAD.COM

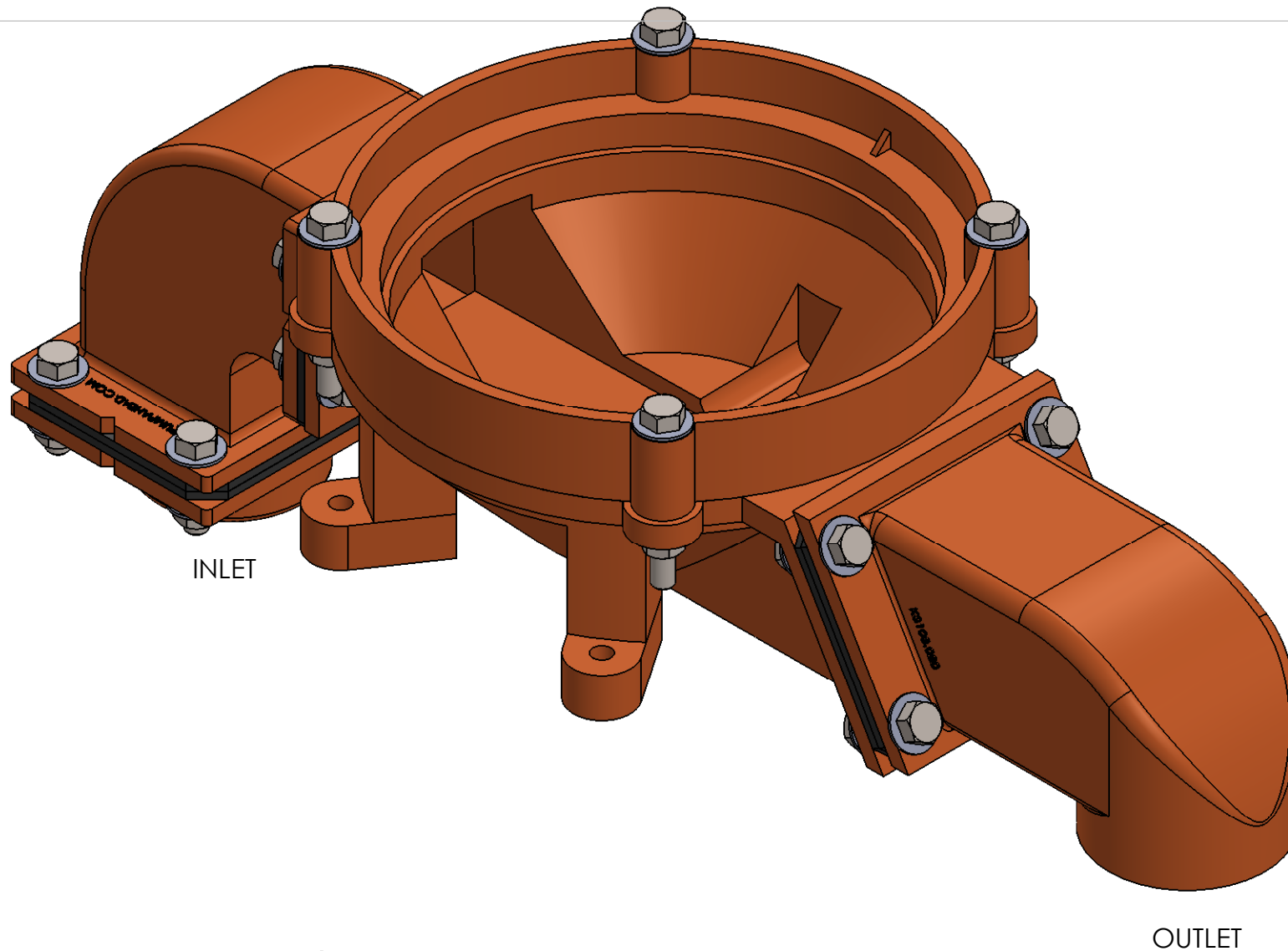
PART NUMBER - TITLE

ABOWL PUMP ORIENTATIONS

DIMENSION: INCHES / (XX) MM

SCALE: A

SHEET 1 OF 13



INLET

OUTLET

NOTES:  
90° X 90° (1.5" X 2.0")

**PROPRIETARY AND CONFIDENTIAL**

THE INFORMATION CONTAINED IN THIS DRAWING IS THE SOLE PROPERTY OF KEKO PUMP AND EQUIPMENT. ANY REPRODUCTION IN PART OR AS A WHOLE WITHOUT THE WRITTEN PERMISSION OF KEKO PUMP AND EQUIPMENT IS PROHIBITED.

UNLESS OTHERWISE SPECIFIED:

DIMENSIONS ARE IN INCHES  
TOLERANCES:  
FRACTIONAL ± 1/32  
ONE PLACE DECIMAL ± .1  
TWO PLACE DECIMAL ± .03  
THREE PLACE DECIMAL ± .020  
ANGULAR ± .5°

MATERIAL

DRAWN	AWS	
REVISION #	PREVIOUS	CURRENT
	1.0	1.0

DATE: 6/23/2015

COMMENTS:

KEKO PUMP AND EQUIPMENT  
WWW.PUMPAHEAD.COM

PART NUMBER - TITLE

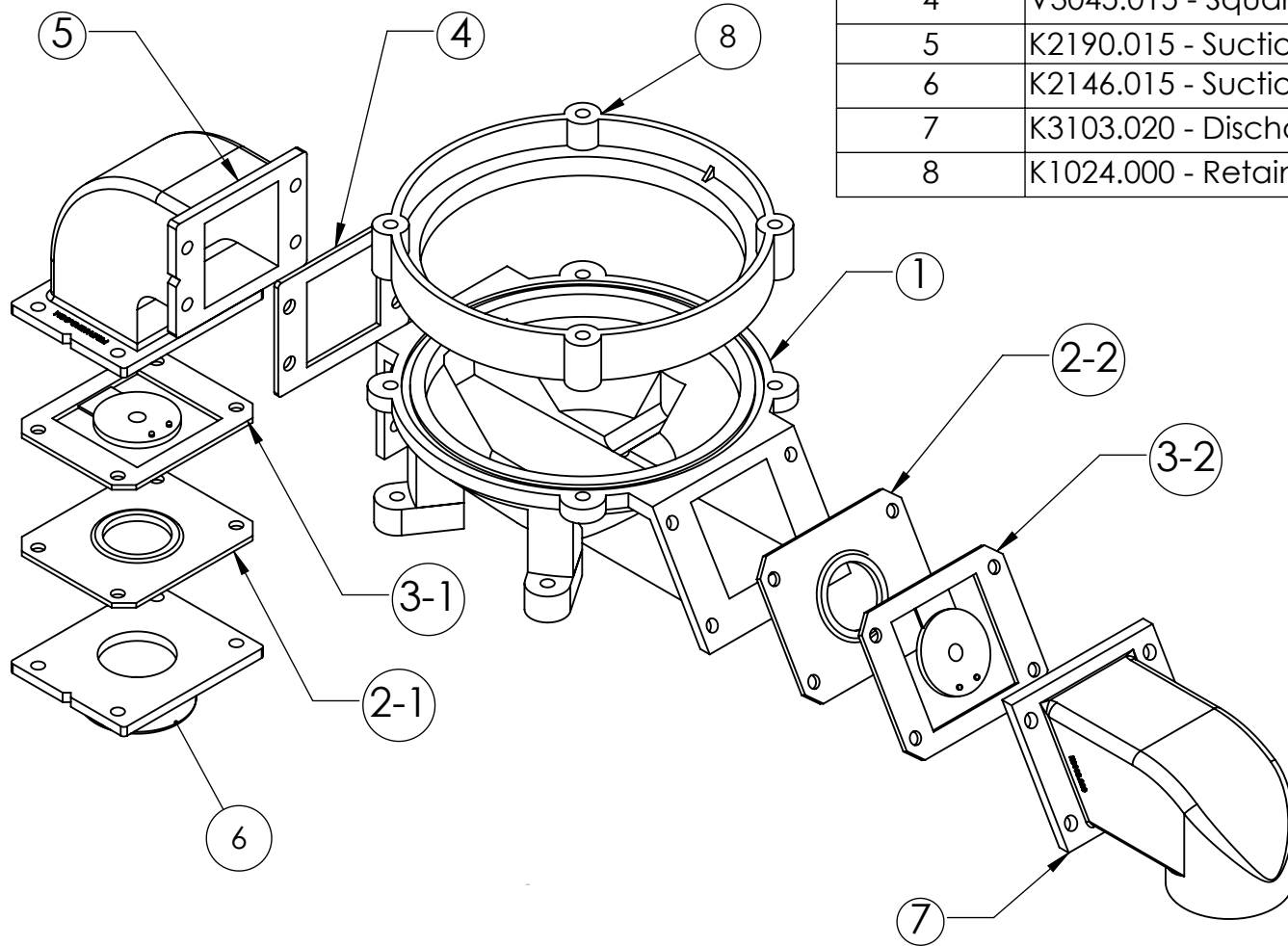
ABOWL #1

DIMENSION: INCHES / (XX) MM

SCALE: 1:2

SHEET 2 OF 13

ITEM NO.	PART NUMBER - DESCRIPTION	QTY.
1	K1021.000 - Pump Bowl	1
2	V2043.015 - Valve Seating Plate	2
3	V0041.015 - Valve	2
4	V3045.015 - Square Center Gasket	1
5	K2190.015 - Suction Elbow	1
6	K2146.015 - Suction Hose Adapter (Female)	1
7	K3103.020 - Discharge Elbow	1
8	K1024.000 - Retaining Ring	1



NOTES:  
STAINLESS STEEL FASTENERS NOT DEPICTED

**(3) P/N B-FLANGE HARDWARE**  
Stainless Steel Fasteners/Hardware Kit,  
Includes 4 Bolts, 8 Washers, 4 Nylon Lock Nut

**(1) B-RING 2 BOWL**  
Retaining Ring to Bowl Fasteners/Hardware Kit,  
Includes 4 Bolts, 8 Washers, 4 Nylon Lock Nut

**PROPRIETARY AND CONFIDENTIAL**

THE INFORMATION CONTAINED  
IN THIS DRAWING IS THE SOLE  
PROPERTY OF KEKO PUMP AND  
EQUIPMENT. ANY  
REPRODUCTION IN PART OR AS  
A WHOLE WITHOUT THE  
WRITTEN PERMISSION OF  
KEKO PUMP AND EQUIPMENT IS  
PROHIBITED.

UNLESS OTHERWISE SPECIFIED:

DIMENSIONS ARE IN INCHES  
TOLERANCES:  
FRACTIONAL  $\pm 1/32$   
ONE PLACE DECIMAL  $\pm .1$   
TWO PLACE DECIMAL  $\pm .03$   
THREE PLACE DECIMAL  $\pm .020$   
ANGULAR  $\pm .5^\circ$

MATERIAL

DRAWN	AWS	
REVISION #	PREVIOUS	CURRENT
	1.0	1.0

DATE: 6/23/2015

COMMENTS:

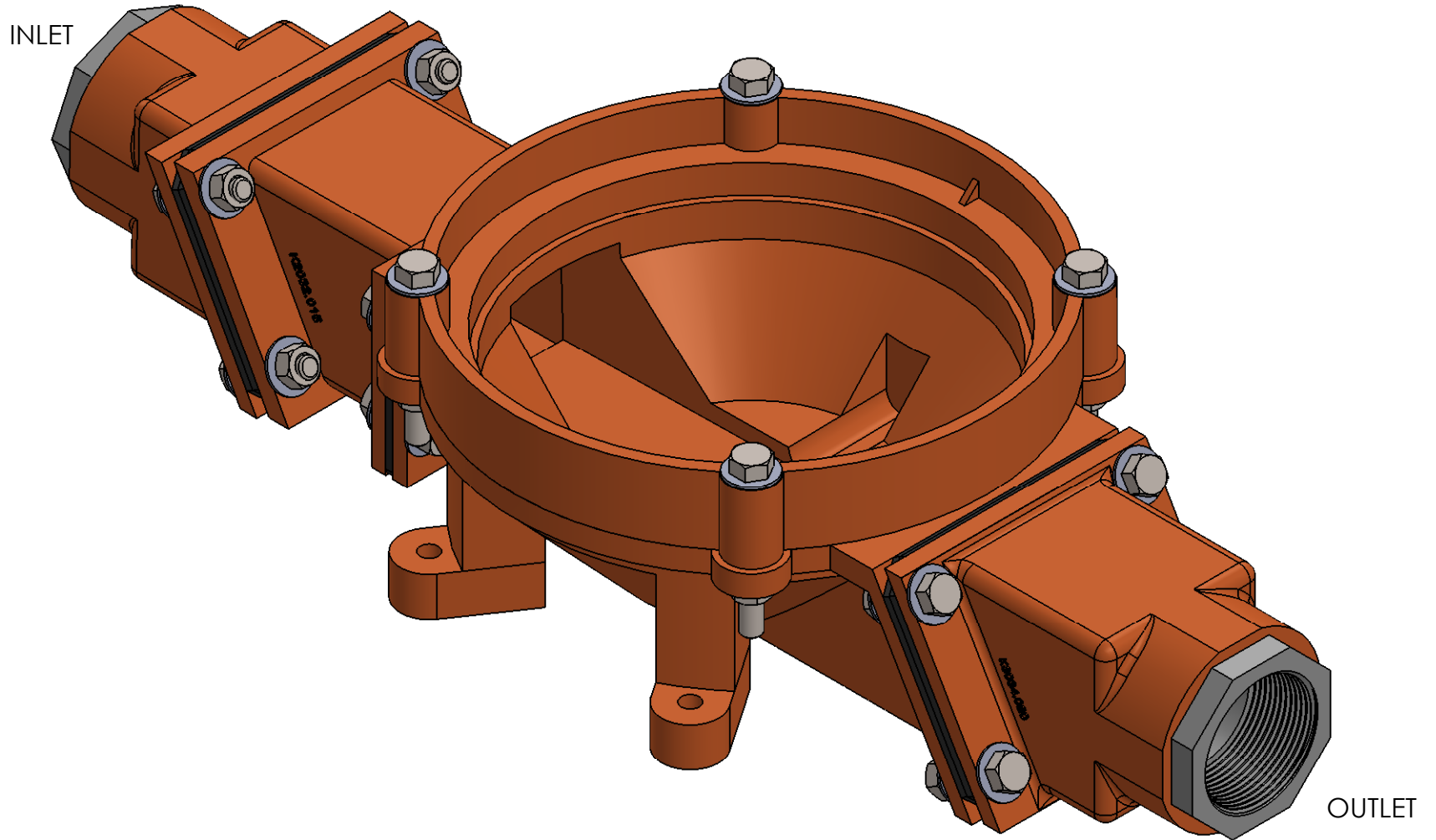
**KEKO** KEKO PUMP AND EQUIPMENT  
WWW.PUMPAHEAD.COM

PART NUMBER - TITLE

ABOWL #1 EXPLODED VIEW

DIMENSION: INCHES / (XX) MM

SCALE: 1:4 SHEET 3 OF 13



NOTES:  
STRAIGHT (1.5" X 1.5")

**PROPRIETARY AND CONFIDENTIAL**

THE INFORMATION CONTAINED IN THIS DRAWING IS THE SOLE PROPERTY OF KECO PUMP AND EQUIPMENT. ANY REPRODUCTION IN PART OR AS A WHOLE WITHOUT THE WRITTEN PERMISSION OF KECO PUMP AND EQUIPMENT IS PROHIBITED.

UNLESS OTHERWISE SPECIFIED:

DIMENSIONS ARE IN INCHES  
TOLERANCES:  
FRACTIONAL  $\pm 1/32$   
ONE PLACE DECIMAL  $\pm .1$   
TWO PLACE DECIMAL  $\pm .03$   
THREE PLACE DECIMAL  $\pm .020$   
ANGULAR  $\pm .5^\circ$

MATERIAL

DRAWN	AWS	
	PREVIOUS	CURRENT
REVISION #	1.0	1.0

DATE: 6/23/2015

COMMENTS:

KECO PUMP AND EQUIPMENT  
WWW.PUMPAHEAD.COM

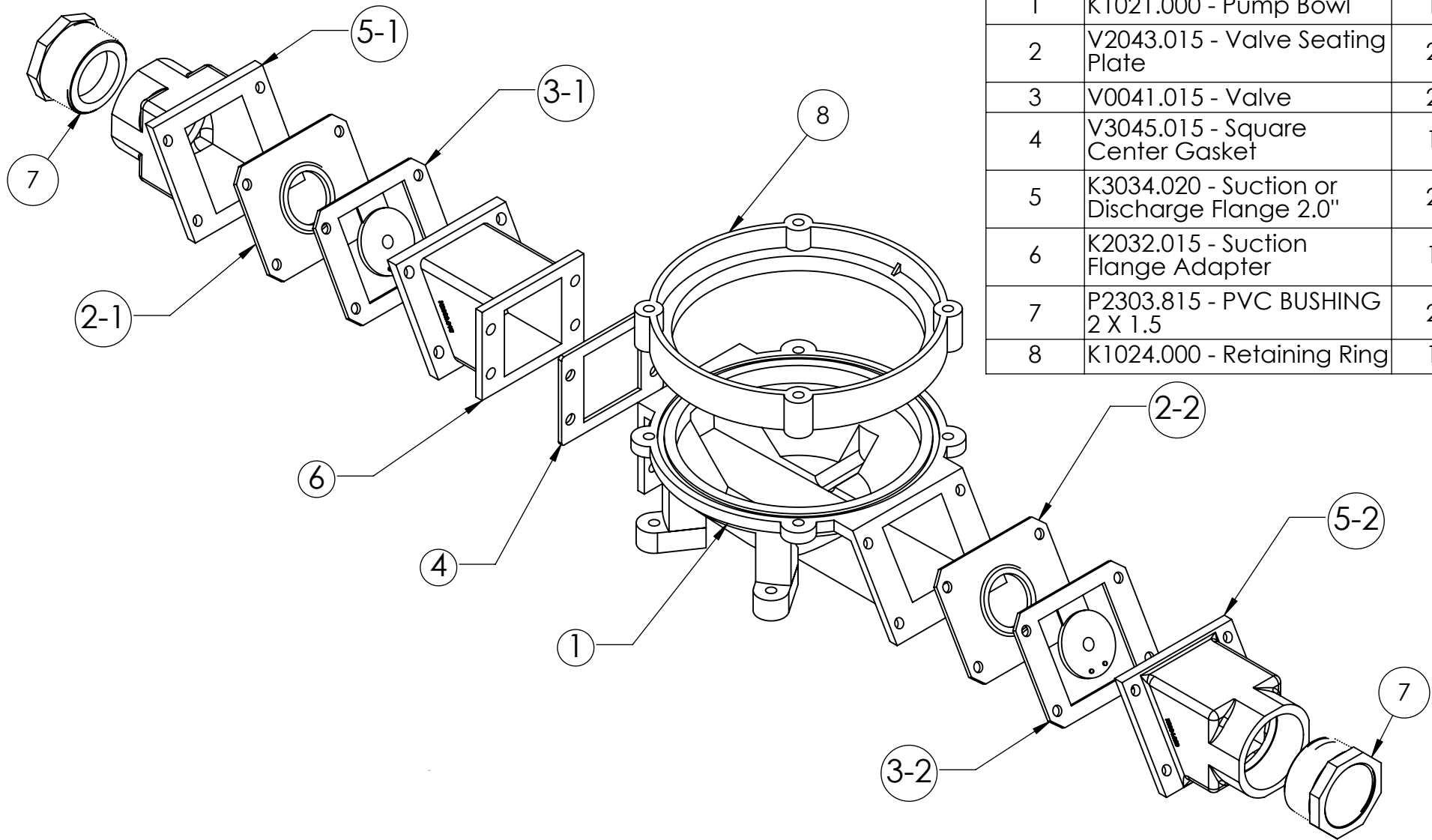
PART NUMBER - TITLE

ABOWL #2 ASSEMBLY

DIMENSION: INCHES / (XX) MM

SCALE: 1:2

SHEET 4 OF 13



ITEM NO.	PART NUMBER - DESCRIPTION	QTY.
1	K1021.000 - Pump Bowl	1
2	V2043.015 - Valve Seating Plate	2
3	V0041.015 - Valve	2
4	V3045.015 - Square Center Gasket	1
5	K3034.020 - Suction or Discharge Flange 2.0"	2
6	K2032.015 - Suction Flange Adapter	1
7	P2303.815 - PVC BUSHING 2 X 1.5	2
8	K1024.000 - Retaining Ring	1

NOTES:  
STAINLESS STEEL FASTENERS NOT DEPICTED

**(3) P/N B-FLANGE HARDWARE**  
Stainless Steel Fasteners/Hardware Kit,  
Includes 4 Bolts, 8 Washers, 4 Nylon Lock Nut

**(1) B-RING 2 BOWL**  
Retaining Ring to Bowl Fasteners/Hardware Kit,  
Includes 4 Bolts, 8 Washers, 4 Nylon Lock Nut

**PROPRIETARY AND CONFIDENTIAL**

THE INFORMATION CONTAINED IN THIS DRAWING IS THE SOLE PROPERTY OF KECO PUMP AND EQUIPMENT. ANY REPRODUCTION IN PART OR AS A WHOLE WITHOUT THE WRITTEN PERMISSION OF KECO PUMP AND EQUIPMENT IS PROHIBITED.

UNLESS OTHERWISE SPECIFIED:

DIMENSIONS ARE IN INCHES  
TOLERANCES:  
FRACTIONAL  $\pm 1/32$   
ONE PLACE DECIMAL  $\pm .1$   
TWO PLACE DECIMAL  $\pm .03$   
THREE PLACE DECIMAL  $\pm .020$   
ANGULAR  $\pm .5^\circ$

MATERIAL

DRAWN	AWS	
	PREVIOUS	CURRENT
REVISION #	1.0	1.0

DATE: 6/23/2015

COMMENTS:

**KECO** KECO PUMP AND EQUIPMENT  
WWW.PUMPAHEAD.COM

PART NUMBER - TITLE

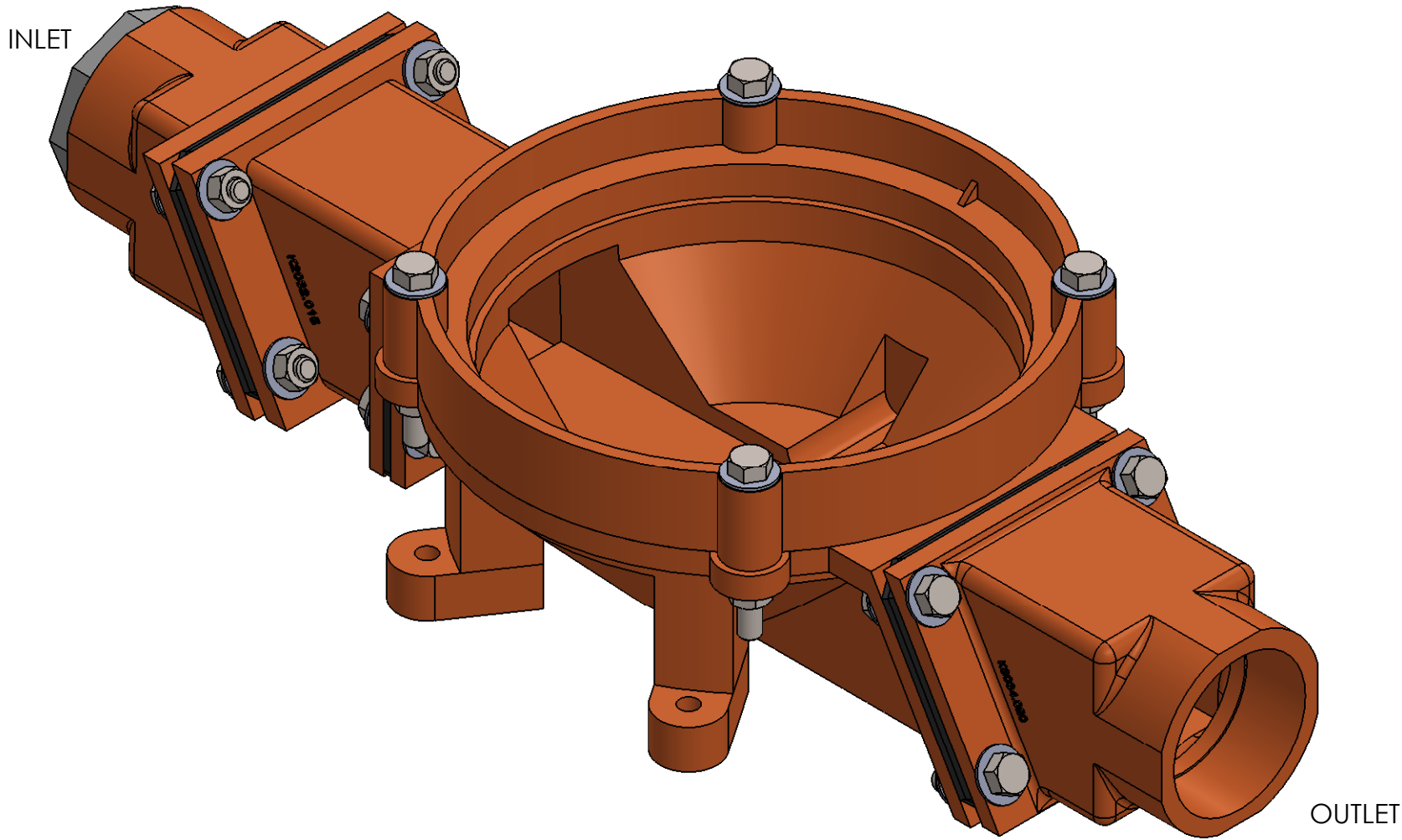
ABOWL #2 EXPLODED VIEW

DIMENSION: INCHES / (XX) MM

SCALE: 1:4

SHEET 5 OF 13





NOTES:  
STRAIGHT (1.5" X 2.0")

**PROPRIETARY AND CONFIDENTIAL**  
THE INFORMATION CONTAINED IN THIS DRAWING IS THE SOLE PROPERTY OF KECO PUMP AND EQUIPMENT. ANY REPRODUCTION IN PART OR AS A WHOLE WITHOUT THE WRITTEN PERMISSION OF KECO PUMP AND EQUIPMENT IS PROHIBITED.

UNLESS OTHERWISE SPECIFIED:  
DIMENSIONS ARE IN INCHES  
TOLERANCES:  
FRACTIONAL  $\pm 1/32$   
ONE PLACE DECIMAL  $\pm .1$   
TWO PLACE DECIMAL  $\pm .03$   
THREE PLACE DECIMAL  $\pm .020$   
ANGULAR  $\pm .5^\circ$

MATERIAL

DRAWN	AWS	
	PREVIOUS	CURRENT
REVISION #	1.0	1.0
DATE:	6/23/2015	

COMMENTS:

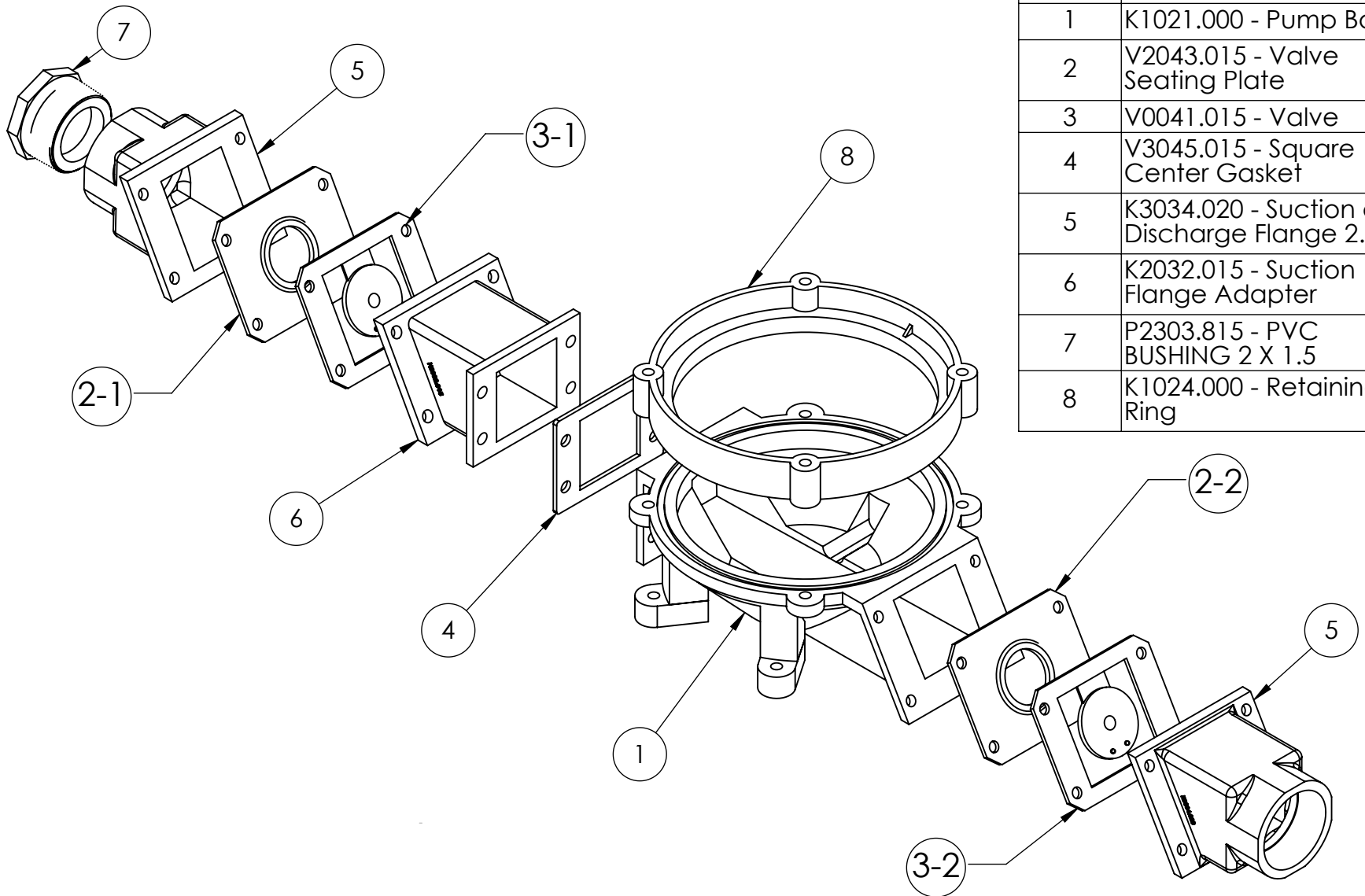
KECO PUMP AND EQUIPMENT  
WWW.PUMPAHEAD.COM

PART NUMBER - TITLE

ABOWL #3 ASSEMBLY

DIMENSION: INCHES / (XX) MM

SCALE: 1:2 SHEET 6 OF 13



ITEM NO.	PART NUMBER - DESCRIPTION	QTY.
1	K1021.000 - Pump Bowl	1
2	V2043.015 - Valve Seating Plate	2
3	V0041.015 - Valve	2
4	V3045.015 - Square Center Gasket	1
5	K3034.020 - Suction or Discharge Flange 2.0"	2
6	K2032.015 - Suction Flange Adapter	1
7	P2303.815 - PVC BUSHING 2 X 1.5	1
8	K1024.000 - Retaining Ring	1

NOTES:  
 STAINLESS STEEL FASTENERS NOT DEPICTED

**(3) P/N B-FLANGE HARDWARE**  
 Stainless Steel Fasteners/Hardware Kit,  
 Includes 4 Bolts, 8 Washers, 4 Nylon Lock Nut

**(1) B-RING 2 BOWL**  
 Retaining Ring to Bowl Fasteners/Hardware Kit,  
 Includes 4 Bolts, 8 Washers, 4 Nylon Lock Nut

**PROPRIETARY AND CONFIDENTIAL**

THE INFORMATION CONTAINED IN THIS DRAWING IS THE SOLE PROPERTY OF KEKO PUMP AND EQUIPMENT. ANY REPRODUCTION IN PART OR AS A WHOLE WITHOUT THE WRITTEN PERMISSION OF KEKO PUMP AND EQUIPMENT IS PROHIBITED.

UNLESS OTHERWISE SPECIFIED:  
 DIMENSIONS ARE IN INCHES  
 TOLERANCES:  
 FRACTIONAL  $\pm 1/32$   
 ONE PLACE DECIMAL  $\pm .1$   
 TWO PLACE DECIMAL  $\pm .03$   
 THREE PLACE DECIMAL  $\pm .020$   
 ANGULAR  $\pm .5^\circ$

MATERIAL

DRAWN	AWS	
REVISION #	PREVIOUS	CURRENT
DATE: 6/23/2015	1.0	1.0
COMMENTS:		

**KEKO** KEKO PUMP AND EQUIPMENT  
 WWW.PUMPAHEAD.COM

PART NUMBER - TITLE

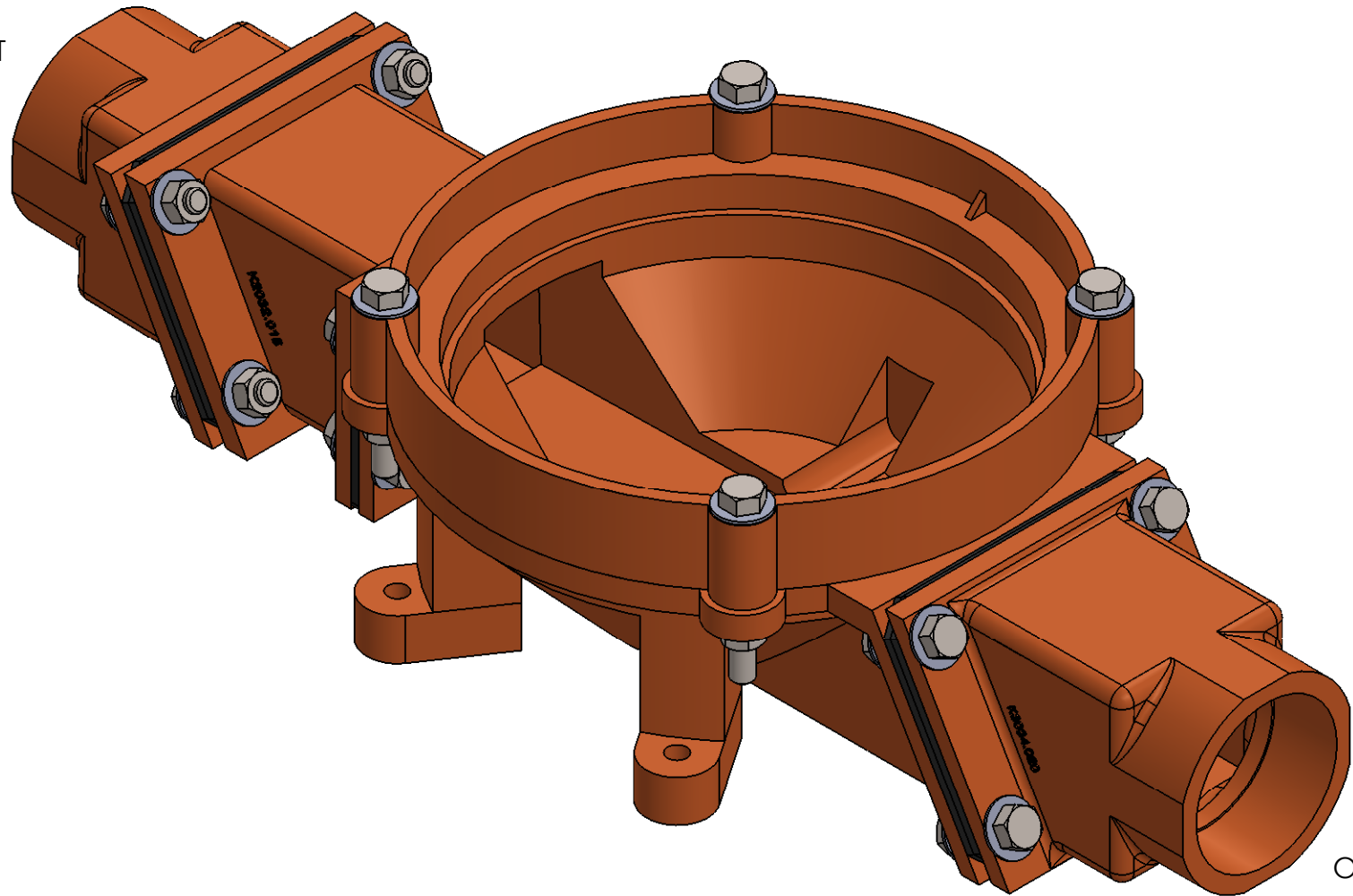
**ABOWL #3 EXPLODED VIEW**

DIMENSION: INCHES / (XX) MM

SCALE: 1:4

SHEET 7 OF 13

INLET



OUTLET

NOTES:  
STRAIGHT (2.0" X 2.0")

**PROPRIETARY AND CONFIDENTIAL**

THE INFORMATION CONTAINED IN THIS DRAWING IS THE SOLE PROPERTY OF KECO PUMP AND EQUIPMENT. ANY REPRODUCTION IN PART OR AS A WHOLE WITHOUT THE WRITTEN PERMISSION OF KECO PUMP AND EQUIPMENT IS PROHIBITED.

UNLESS OTHERWISE SPECIFIED:

DIMENSIONS ARE IN INCHES  
TOLERANCES:  
FRACTIONAL  $\pm 1/32$   
ONE PLACE DECIMAL  $\pm .1$   
TWO PLACE DECIMAL  $\pm .03$   
THREE PLACE DECIMAL  $\pm .020$   
ANGULAR  $\pm .5^\circ$

MATERIAL

DRAWN	AWS	
REVISION #	PREVIOUS	CURRENT
	1.0	1.0

DATE: 6/23/2015

COMMENTS:

KECO PUMP AND EQUIPMENT  
WWW.PUMPAHEAD.COM

PART NUMBER - TITLE

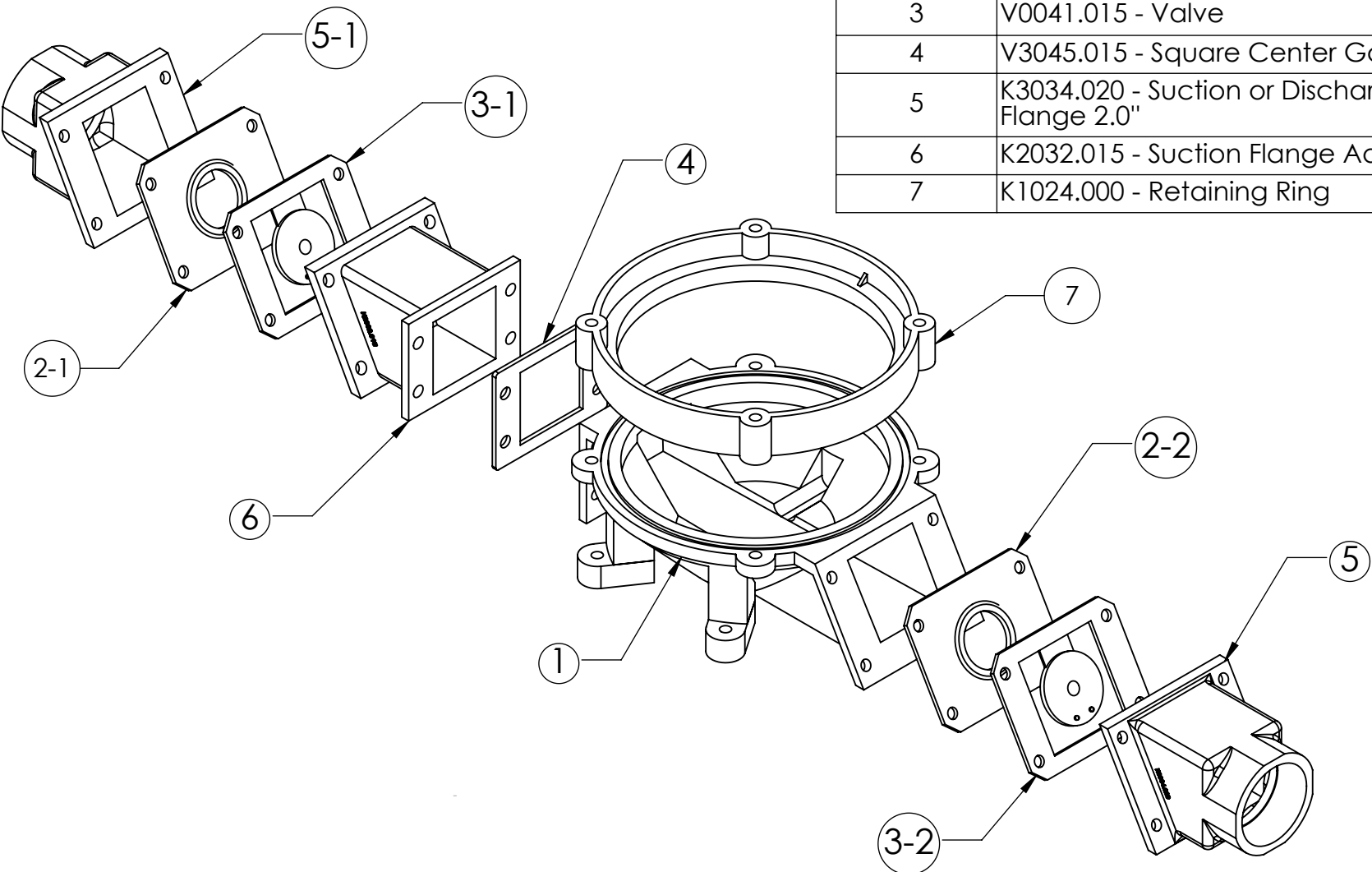
ABOWL #4 ASSEMBLY

DIMENSION: INCHES / (XX) MM

SCALE: 1:2

SHEET 8 OF 13

ITEM NO.	PART NUMBER - DESCRIPTION	QTY.
1	K1021.000 - Pump Bowl	1
2-1	V2043.015 - Valve Seating Plate	2
3	V0041.015 - Valve	2
4	V3045.015 - Square Center Gasket	1
5	K3034.020 - Suction or Discharge Flange 2.0"	2
6	K2032.015 - Suction Flange Adapter	1
7	K1024.000 - Retaining Ring	1



NOTES:  
 STAINLESS STEEL FASTENERS NOT DEPICTED

**(3) P/N B-FLANGE HARDWARE**  
 Stainless Steel Fasteners/Hardware Kit,  
 Includes 4 Bolts, 8 Washers, 4 Nylon Lock Nut

**(1) B-RING 2 BOWL**  
 Retaining Ring to Bowl Fasteners/Hardware Kit,  
 Includes 4 Bolts, 8 Washers, 4 Nylon Lock Nut

**PROPRIETARY AND CONFIDENTIAL**

THE INFORMATION CONTAINED IN THIS DRAWING IS THE SOLE PROPERTY OF KEKO PUMP AND EQUIPMENT. ANY REPRODUCTION IN PART OR AS A WHOLE WITHOUT THE WRITTEN PERMISSION OF KEKO PUMP AND EQUIPMENT IS PROHIBITED.

UNLESS OTHERWISE SPECIFIED:  
 DIMENSIONS ARE IN INCHES  
 TOLERANCES:  
 FRACTIONAL ± 1/32  
 ONE PLACE DECIMAL ± .1  
 TWO PLACE DECIMAL ± .03  
 THREE PLACE DECIMAL ± .020  
 ANGULAR ± .5°

MATERIAL

DRAWN	AWS	
REVISION #	PREVIOUS	CURRENT
	1.0	1.0
DATE: 6/23/2015		
COMMENTS:		

**KEKO** KEKO PUMP AND EQUIPMENT  
 WWW.PUMPAHEAD.COM

PART NUMBER - TITLE

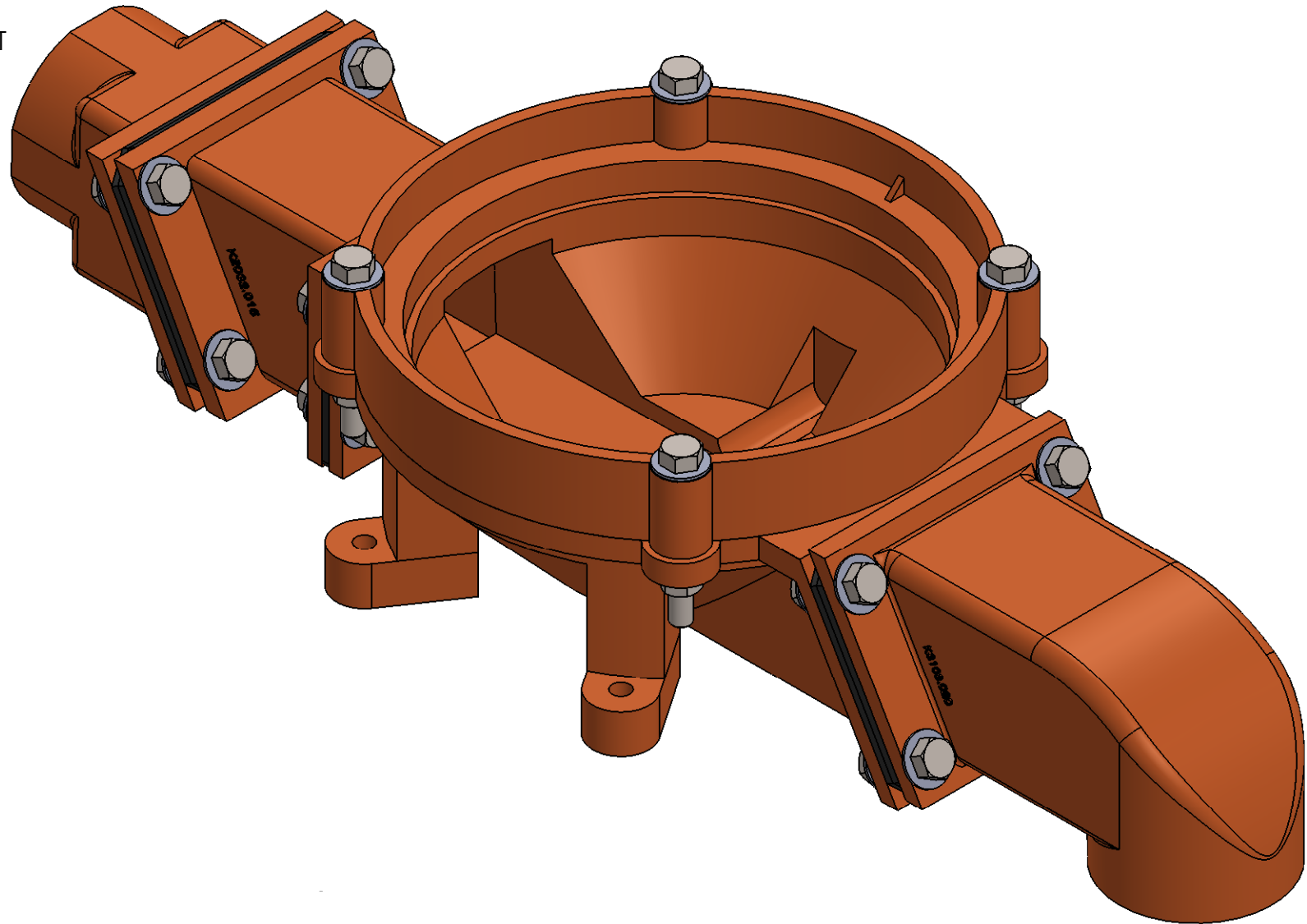
**ABOWL #4 EXPLODED VIEW**

DIMENSION: INCHES / (XX) MM

SCALE: 1:4

SHEET 9 OF 13

INLET



OUTLET

NOTES:  
STRAIGHT X 90° (2.0" X 2.0")

**PROPRIETARY AND CONFIDENTIAL**  
THE INFORMATION CONTAINED IN THIS DRAWING IS THE SOLE PROPERTY OF KECO PUMP AND EQUIPMENT. ANY REPRODUCTION IN PART OR AS A WHOLE WITHOUT THE WRITTEN PERMISSION OF KECO PUMP AND EQUIPMENT IS PROHIBITED.

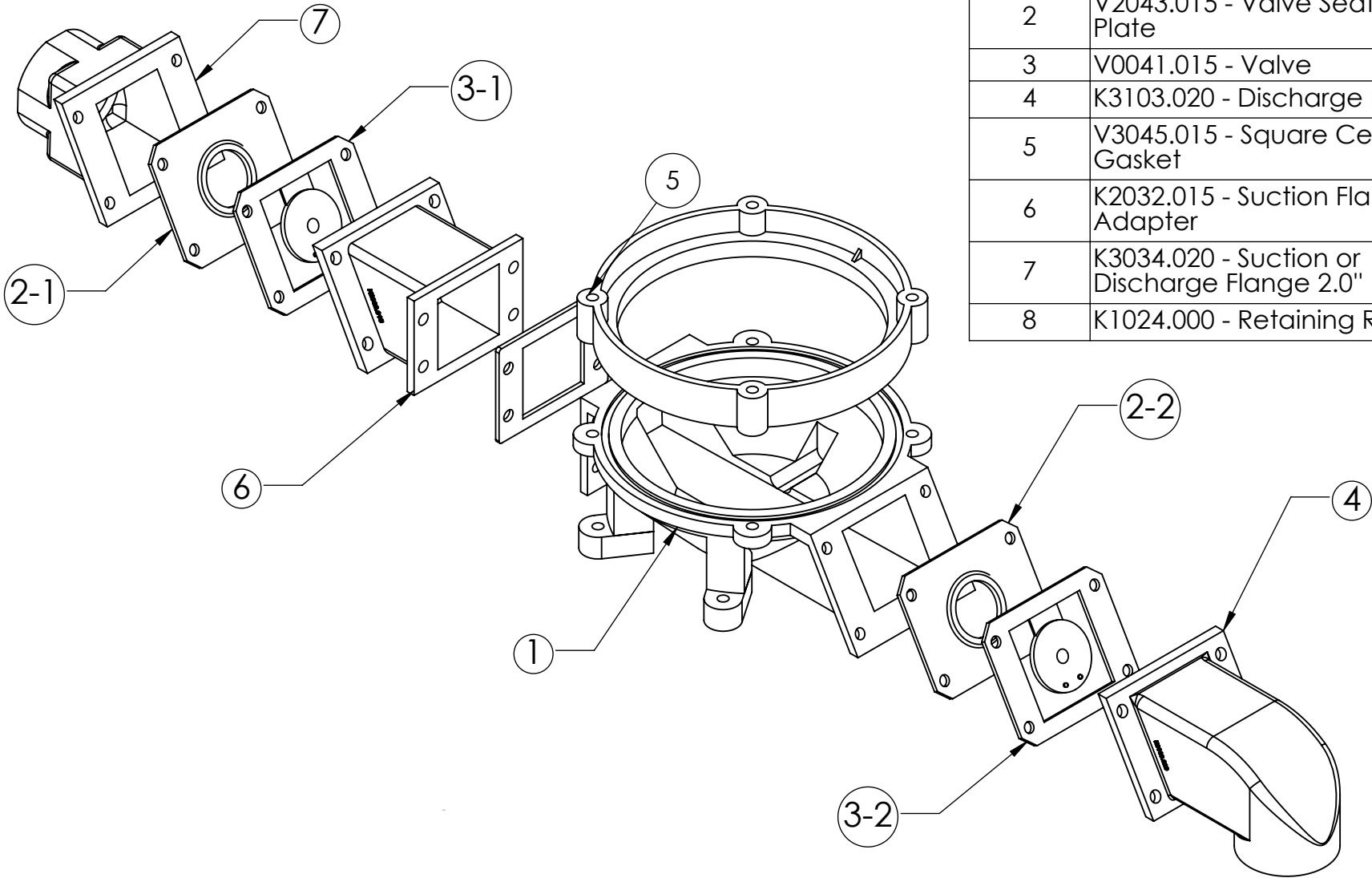
UNLESS OTHERWISE SPECIFIED:  
DIMENSIONS ARE IN INCHES  
TOLERANCES:  
FRACTIONAL ± 1/32  
ONE PLACE DECIMAL ± .1  
TWO PLACE DECIMAL ± .03  
THREE PLACE DECIMAL ± .020  
ANGULAR ± .5°

MATERIAL

DRAWN	AWS	
REVISION #	PREVIOUS	CURRENT
	1.0	1.0
DATE: 6/23/2015		
COMMENTS:		

KECO PUMP AND EQUIPMENT	
WWW.PUMPAHEAD.COM	
PART NUMBER - TITLE	
ABOWL #5 (HARDWARE)	
DIMENSION: INCHES / (XX) MM	
SCALE: 1:2	SHEET 10 OF 13

ITEM NO.	PART NUMBER - DESCRIPTION	QTY.
1	K1021.000 - Pump Bowl	1
2	V2043.015 - Valve Seating Plate	2
3	V0041.015 - Valve	2
4	K3103.020 - Discharge Elbow	1
5	V3045.015 - Square Center Gasket	1
6	K2032.015 - Suction Flange Adapter	1
7	K3034.020 - Suction or Discharge Flange 2.0"	1
8	K1024.000 - Retaining Ring	1



**NOTES:**  
 STAINLESS STEEL FASTENERS NOT DEPICTED

**(3) P/N B-FLANGE HARDWARE**  
 Stainless Steel Fasteners/Hardware Kit,  
 Includes 4 Bolts, 8 Washers, 4 Nylon Lock Nut

**(1) B-RING 2 BOWL**  
 Retaining Ring to Bowl Fasteners/Hardware Kit,  
 Includes 4 Bolts, 8 Washers, 4 Nylon Lock Nut

**PROPRIETARY AND CONFIDENTIAL**

THE INFORMATION CONTAINED IN THIS DRAWING IS THE SOLE PROPERTY OF KEKO PUMP AND EQUIPMENT. ANY REPRODUCTION IN PART OR AS A WHOLE WITHOUT THE WRITTEN PERMISSION OF KEKO PUMP AND EQUIPMENT IS PROHIBITED.

UNLESS OTHERWISE SPECIFIED:  
 DIMENSIONS ARE IN INCHES  
 TOLERANCES:  
 FRACTIONAL  $\pm 1/32$   
 ONE PLACE DECIMAL  $\pm .1$   
 TWO PLACE DECIMAL  $\pm .03$   
 THREE PLACE DECIMAL  $\pm .020$   
 ANGULAR  $\pm .5^\circ$

MATERIAL

DRAWN	AWS	
	PREVIOUS	CURRENT
REVISION #	1.0	1.0
DATE:	6/23/2015	
COMMENTS:		

**KEKO** KEKO PUMP AND EQUIPMENT  
 WWW.PUMPAHEAD.COM

PART NUMBER - TITLE

**ABOWL #5 EXPLODED VIEW**

DIMENSION: INCHES / (XX) MM

SCALE: 1:4

# Suction Valve Replacement

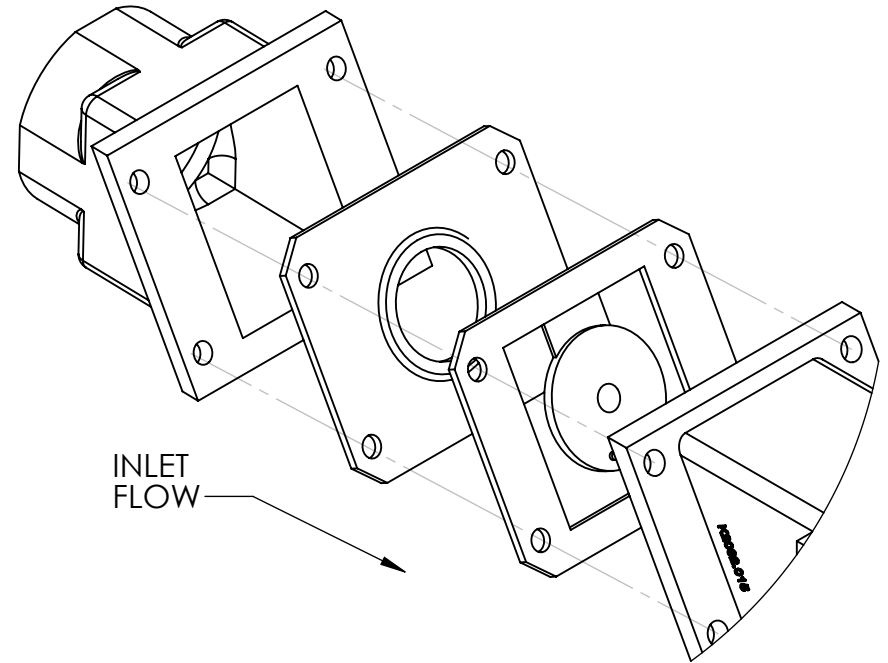
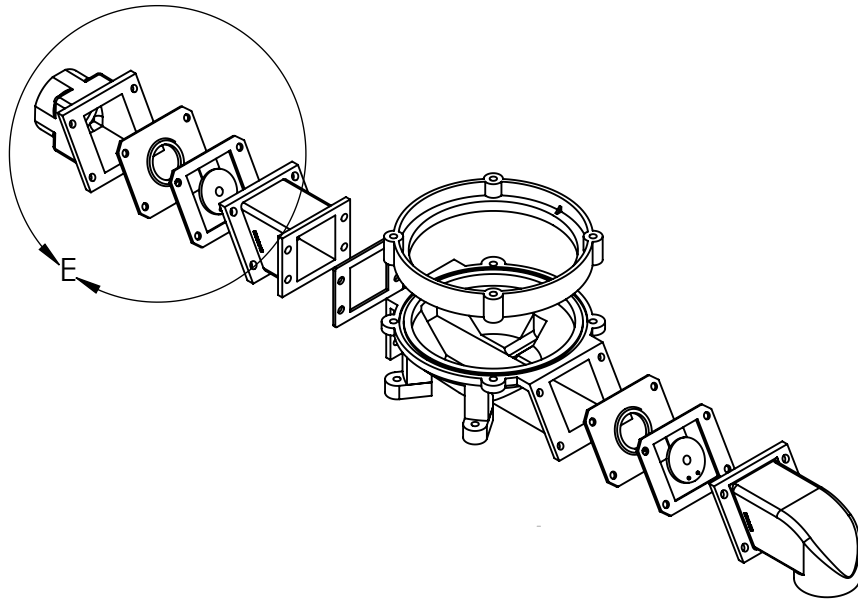
(Single / double diaphragm models)

**Important Note: *Do not over tighten valves or gasket!!***

Torque Specification is 55"/lbs or 4.5'/lbs without a torque wrench, this is approximately hand tight plus 3/4 turn for valves and gaskets.

**Important Note:**

Ensure aluminum pump flanges are smooth and clean before installing new valves. If pitted or corroded, use a steel brush or grinding wheel to smooth and clean flange faces. If severely pitted, castings should be replaced.



DETAIL E  
SCALE 1 : 2.5

NOTES:  
STAINLESS STEEL FASTENERS NOT DEPICTED

**(3) P/N B-FLANGE HARDWARE**  
Stainless Steel Fasteners/Hardware Kit,  
Includes 4 Bolts, 8 Washers, 4 Nylon Lock Nut

**(1) B-RING 2 BOWL**  
Retaining Ring to Bowl Fasteners/Hardware Kit,  
Includes 4 Bolts, 8 Washers, 4 Nylon Lock Nut

**PROPRIETARY AND CONFIDENTIAL**

THE INFORMATION CONTAINED IN THIS DRAWING IS THE SOLE PROPERTY OF KEKO PUMP AND EQUIPMENT. ANY REPRODUCTION IN PART OR AS A WHOLE WITHOUT THE WRITTEN PERMISSION OF KEKO PUMP AND EQUIPMENT IS PROHIBITED.

UNLESS OTHERWISE SPECIFIED:

DIMENSIONS ARE IN INCHES  
TOLERANCES:  
FRACTIONAL ± 1/32  
ONE PLACE DECIMAL ± .1  
TWO PLACE DECIMAL ± .03  
THREE PLACE DECIMAL ± .020  
ANGULAR ± .5°

MATERIAL

DRAWN	AWS	
	PREVIOUS	CURRENT
REVISION #	1.0	1.0

DATE: 6/23/2015

COMMENTS:

**KEKO** KEKO PUMP AND EQUIPMENT  
WWW.PUMPAHEAD.COM

PART NUMBER - TITLE

SUCTION VALVE REPLACEMENT

DIMENSION: INCHES / (XX) MM

SCALE: 3.5 SHEET 12 OF 13

# Discharge Valve Replacement

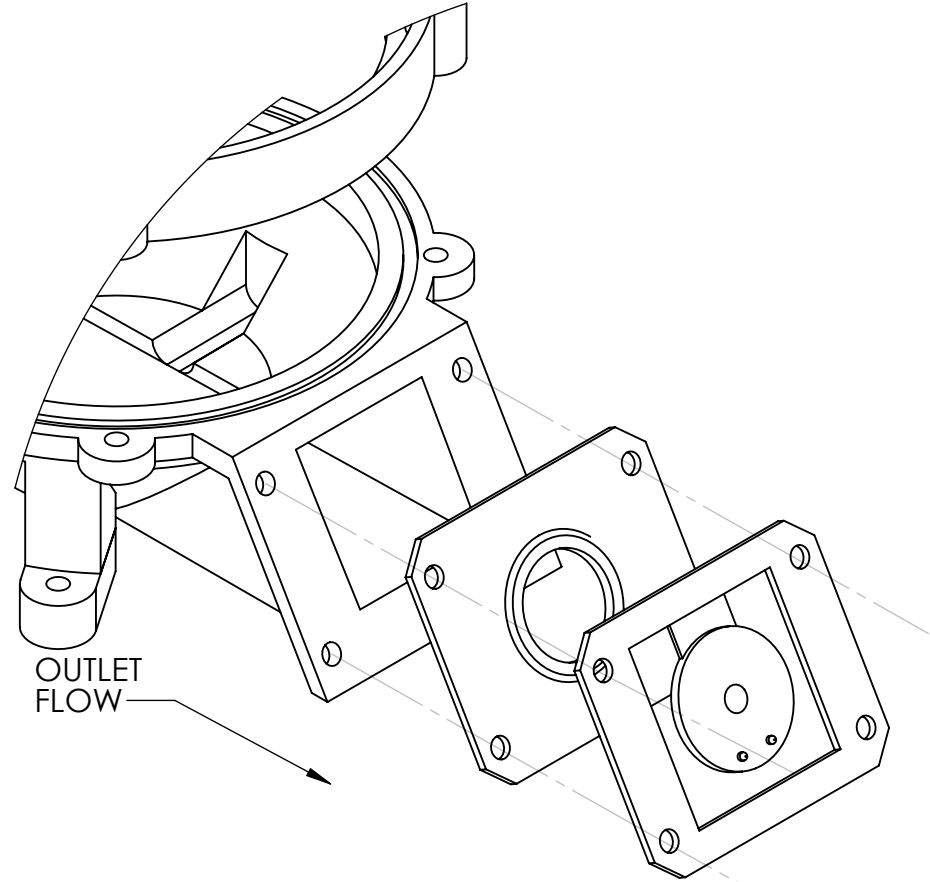
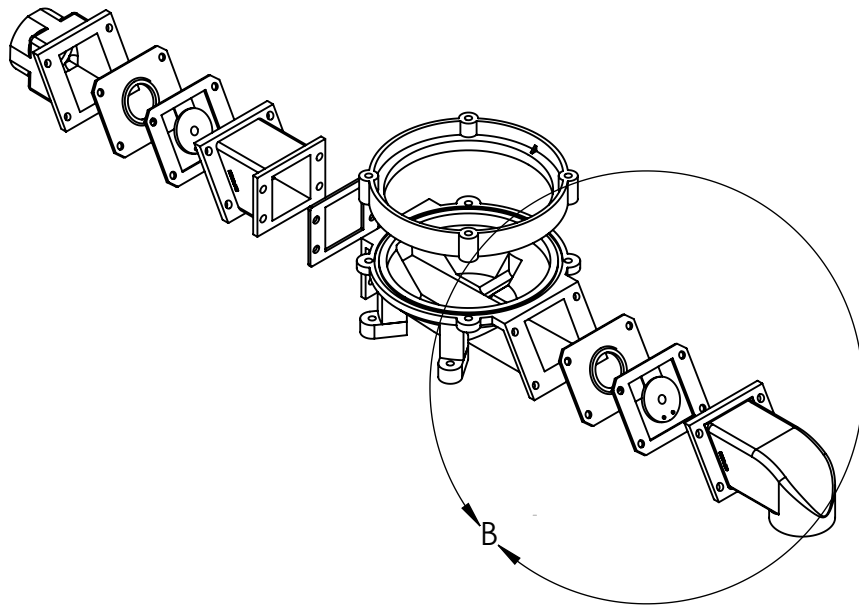
(Single / double diaphragm models)

**Important Note: *Do not over tighten valves or gasket!!***

Torque Specification is 55"/lbs or 4.5'/lbs without a torque wrench, this is approximately hand tight plus 3/4 turn for valves and gaskets.

**Important Note:**

Ensure aluminum pump flanges are smooth and clean before installing new valves. If pitted or corroded, use a steel brush or grinding wheel to smooth and clean flange faces. If severely pitted, castings should be replaced.



DETAIL B  
SCALE 1 : 2.5

NOTES:  
STAINLESS STEEL FASTENERS NOT DEPICTED

**(3) P/N B-FLANGE HARDWARE**  
Stainless Steel Fasteners/Hardware Kit,  
Includes 4 Bolts, 8 Washers, 4 Nylon Lock Nut

**(1) B-RING 2 BOWL**  
Retaining Ring to Bowl Fasteners/Hardware Kit,  
Includes 4 Bolts, 8 Washers, 4 Nylon Lock Nut

**PROPRIETARY AND CONFIDENTIAL**  
THE INFORMATION CONTAINED  
IN THIS DRAWING IS THE SOLE  
PROPERTY OF KEKO PUMP AND  
EQUIPMENT. ANY  
REPRODUCTION IN PART OR AS  
A WHOLE WITHOUT THE  
WRITTEN PERMISSION OF  
KEKO PUMP AND EQUIPMENT IS  
PROHIBITED.

UNLESS OTHERWISE SPECIFIED:  
DIMENSIONS ARE IN INCHES  
TOLERANCES:  
FRACTIONAL ± 1/32  
ONE PLACE DECIMAL ±.1  
TWO PLACE DECIMAL ±.03  
THREE PLACE DECIMAL ±.020  
ANGULAR ±.5°

MATERIAL

DRAWN	AWS	
	PREVIOUS	CURRENT
REVISION #	1.0	1.0

DATE: 6/23/2015

COMMENTS:

**KEKO** KEKO PUMP AND EQUIPMENT  
WWW.PUMPAHEAD.COM

PART NUMBER - TITLE

DISCHARGE VALVE REPLACEMENT

DIMENSION: INCHES / (XX) MM

SCALE: 1:2.5 SHEET 13 OF 13